

Figure 1 - Edo Attachment Gear No. 685



TABLE 1. EDO ATTACHMENT GEAR NO. 685 (STANDARD EQUIPMENT)  
KEY TO FIGURE 1

REF. NO.	PART NUMBER	PART NAME	REF. NO.	PART NUMBER	PART NAME
1	56301	Strut - Front	20	56304	Fitting - Front, Float
2	56302	Strut - Diagonal	21	56305	Fitting - Diagonal, Float
3	56303-1	Strut - Rear - L/H	22	56306	Fitting - Rear, Float
4	56303-2	Strut - Rear - R/H	23	88-C-708-1. 7-29	Wirepull - Spreader Top
5	89-C-703-5	Spreader Assy. Fwd or Aft - complete with the following:	24	3392-4700	Tie Rod Assembly - Fwd
6	89-C-703-2	Tube - Spreader	25	AN25-28A	Bolt
7	88-C-704	Fitting - Spreader End	26	AN960-PD516	Washer
8	88-C-705	Plate - Spreader End	27	AN364-524	Nut
9	88-C-708-1. 1-34	Wirepull - Spreader Side	28	AN6-42A	Bolt
10	88-C-710	Spacer	29	AN365-624	Nut
11	88-C-706	Eyebolt	30	AN960PD616	Washer
12	3392-3950	Tie Rod Assembly - Aft	31	AN6-42A	Bolt
13	56307	Fitting - Fwd Fuselage	32	AN6-27A	Bolt
14	56310-1	Fwd Crosstube Assembly	33	AN6DD24A	Bolt
15	56309	Wirepull, Fwd Fuselage	34	AN315D6R	Nut
16	56308-1	Fitting Assy. - Rear Fuse, L/H	35	AN960D616	Washer
17	56308-2	Fitting Assy. - Rear Fuse, R/H	36	AN6-26A	Bolt
18	3102-20	Eyebolt	37	AN6-21A	Bolt
19	92-S-200-10	Crosswire Assy. Spreader	38	AN6-24A	Bolt



TABLE 2. EDO WATER RUDDER CONTROLS NO. 685 (STANDARD EQUIPMENT)  
KEY TO FIGURE 2

REF. NO.	PART NUMBER	PART NAME	REF. NO.	PART NUMBER	PART NAME
1	1572-16	Cable Assembly - Water Rudder Control	15	AN960D10	Washer
1a	D-376	Spring - Control Cable	16	AN3-7	Bolt
2	3340-152.0-3355	Cable Assembly - Water Rudder Retracting	17	AN393-15	Pin, Flat Head
3	2831	Fairlead Tube Assembly	18	AN381-2-6	Pin, Cotter
4	0367	Handle - Retracting Cable	19	AN394-73	Pin, Flat Head
5	47954	Hook Assembly	20	00-W-850	Eyebolt
6	32682	Extension - Rudder Horn	21	AN960PD-416	Washer
7	60-W-911	Pulley Bracket Assembly	22	AN365-1032	Nut
8	0209	Pulley Bracket	23	AN960PD10	Washer
9	92-Ws-506-1	Spacer - Pulley Bracket (Inside Flt. Stiffener)	24	AN526-1032-8	Screw
10	68-W-654	Fairlead Assembly - Float Deck	25	AN362-F1032	Nut Plate
11	2712	Spacer - Fairlead	26	AN470AD3-5	Rivet
12	091	Pulley	27	AN525-10-8	Screw
13	AN310-3	Nut	28	28. 2. G	Sleeve, Nicopress
14	AN381-2-8	Pin, Cotter	29	AN393-9	Pin, Flat Head
			30	AN3-7A	Bolt
			31	AN365-428	Bolt
			32	AN526-1032-18	Screw

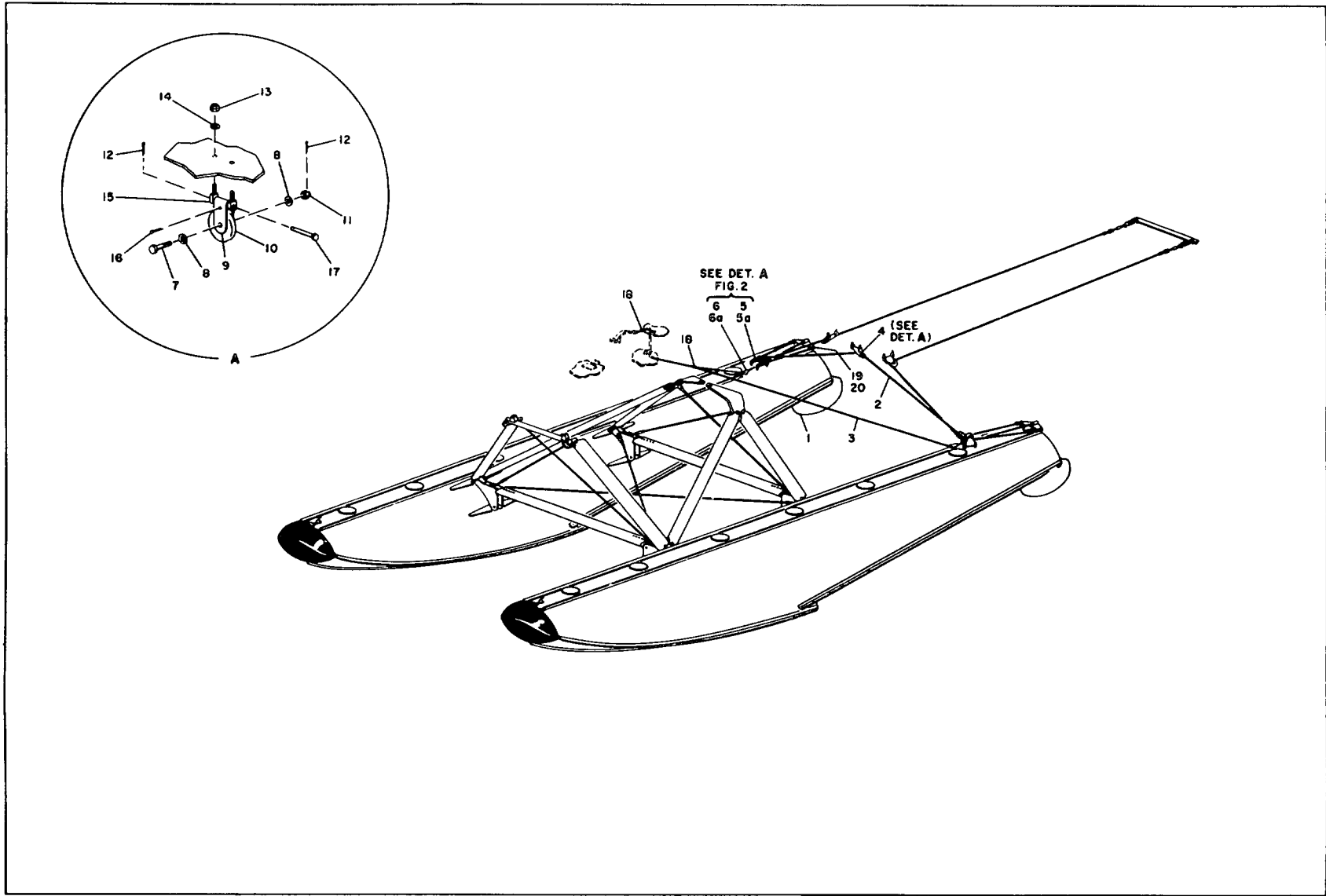


Figure 3 - Edo Twin Water Rudder Controls No. 685

TABLE 3. EDO TWIN WATER CONTROLS NO. 685 (OPTIONAL EQUIPMENT)  
KEY TO FIGURE 3

REF NO.	PART NUMBER	PART NAME	REF NO.	PART NUMBER	PART NAME
Fig. #3	56300-1	Kit Instl. - R/H Water Rudder - Complete with the following:			
1	88-W-070-2	Water Rudder Assembly (For R Float) (See Edo Model 88-A-1650 Float Spare Parts List (Optional Equipment) Ref Nos. 7, 8, 41, 42, 43 thru 51)	11	AN310-3	Nut
2	3353-144. 0-3343	Cable Assembly - Interfloat	12	AN381-2-8	Cotter Pin
3	3340-152. 0-3355	Cable Assembly - Water Rudder Retracting	13	AN365-428	Nut
4	2256	Pulley Bracket Assembly	14	AN960D416	Washer
5	60-W-911	Pulley Bracket Assembly - Float Deck	15	00-W-850	Eyebolt
5a	92-Ws-506-1	Spacer - Pulley Bkt. (inside Ft. Stiffener)	16	AN381-3-12	Cotter Pin
6	68-W-654	Fairlead Assembly - Float Deck	17	AN394-41	Flat Head Pin
6a	2712	Spacer - Fairlead	18	28-2-G	Sleeve, Nicopress
7	AN3-7	Bolt	19	AN393-9	Flat Head Pin
8	AN960D10	Washer	20	AN381-2-6	Cotter Pin
9	2257	Bracket			
10	0915	Pulley			

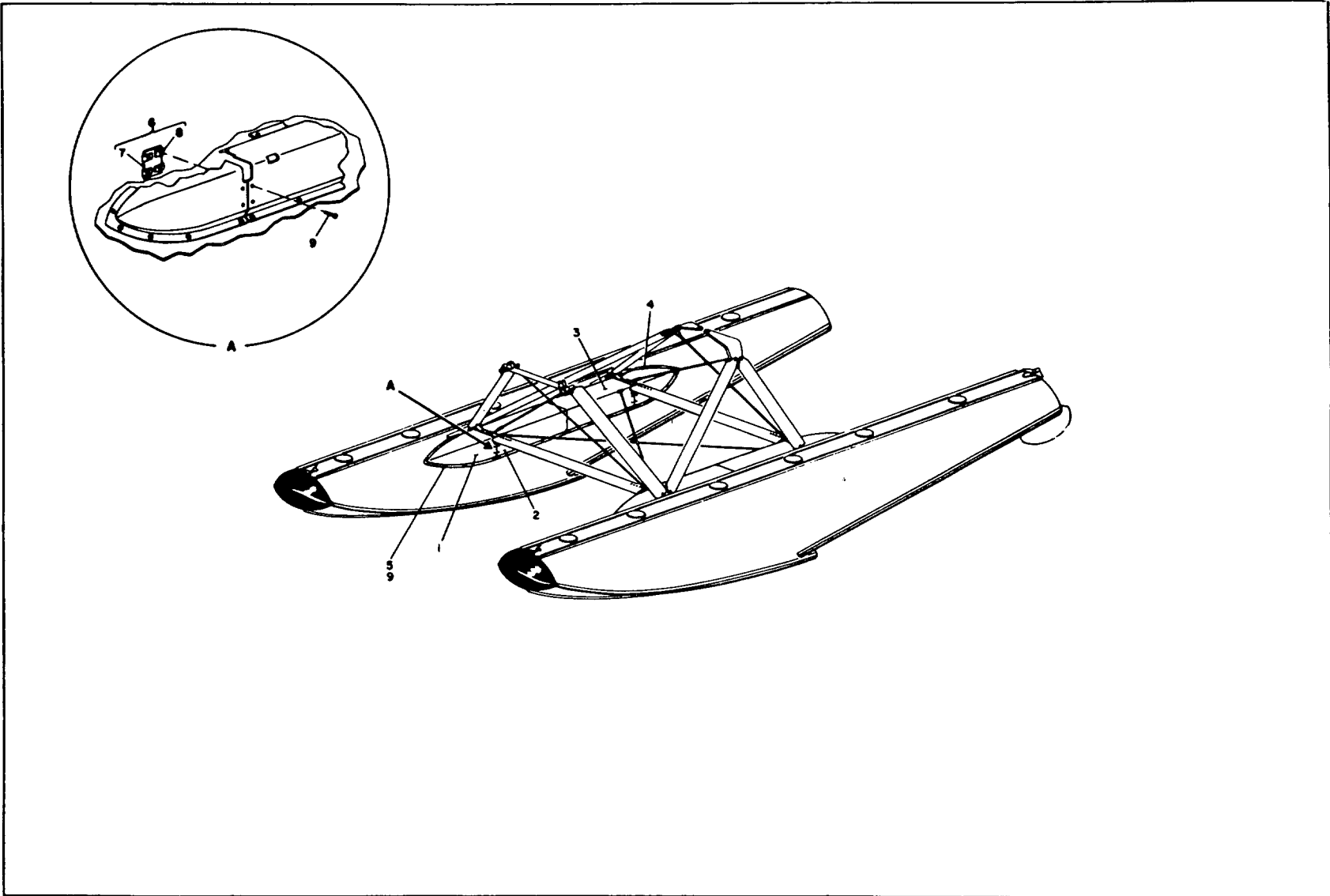


Figure 4 - Edo Spreader Fairings No. 685



TABLE 4. EDO SPREADER FAIRINGS NO. 685 (OPTIONAL EQUIPMENT)  
KEY TO FIGURE 4

REF. NO.	PART NUMBER	PART NAME	REF. NO.	PART NUMBER	PART NAME
Fig. #4	56006	Kit Instl. Spreader Fairing - L/R Floats - Complete with the following:			
1	40120	Fairing Assy. Fwd - R/H Float	4	40121	Fairing Assy. Aft R/H Float
	40120	Fairing Assy. Aft - L/H Float		40121	Fairing Assy. Fwd L/H Float
2	56007	Fairing Assy. Fwd R/H Float	5	C-7000-832-373	Speed Nut
	56007	Fairing Assy Aft L/H Float	6	40122	Splice Plate Assembly
3	56008	Fairing Assy. Aft. R/H Float	7	40123	Splice Plate
	56008	Fairing Assy. Fwd L/H Float	8	C-8104-832-373	Speed Nut
			9	AN525-332R6	Screw