

Figure #1  
EDO ATTACHMENT GEAR

(CONFIGURATION "C")

TABLE 1. EDO ATTACHMENT GEAR (CONFIGURATION "C")  
 FOR PIPER PA-28 AIRPLANES ON MOD. 089/089A-2000 FLOATS  
 (Installation Assembly Model 089/089A25)

KEY TO FIGURE 1.

REF. NO.	PART NAME AND ATTACHING HARDWARE	PART NUMBERS Piper PA-28
1-2	Strut - Forward L/R Bolt - Upper Bolt - Lower Washer Nut	39079 AN25-27A AN25-27A AN960PD516 AN364-524
3-4	Strut - Diagonal L/R Bolt - Upper Bolt - Lower Washer Nut	39080 AN25-26A AN25-26A AN960PD516 AN364-524
5-6	Strut - Aft L/R Bolt - Upper Bolt - Lower Washer Nut	39078 AN25-26A AN25-26A AN960PD516 AN364-524
8	Tie Rod Assy. - Aft Wirepull Aft Float L/R Spacer Bolt Washer Nut Wirepull Aft Wing L/R Eyebolt Washer Nut	3392-8925 88-C-708-1.9-16 88-C-710 AN6-26A AN960PD616 AN365-624  AN44-30A AN960PD516 AN365-524
9	Spreader Assy. - Forward Tube - Spreader Fitting - Spreader End Bolt Washer Nut Plate - Spreader End  Eyebolt - Spreader End Washer Nut	39081 39082 88-C-704 AN6DD25A AN960PD616 AN315D6R 88-C-705  88-C-706 AN960PD616 AN365-624

TABLE 1. EDO ATTACHMENT GEAR (CONFIGURATION "C")  
 FOR PIPER PA-28 AIRPLANES ON MOD. 089/089A-2000 FLOATS  
 (Installation Assembly Model 089/089A25)

KEY TO FIGURE 1.

REF. NO.	PART NAME AND ATTACHING HARDWARE	PART NUMBERS Piper PA-28
10	Spreader Assy. - Aft Tube - Spreader Fitting - Spreader Bolt Washer Nut Plate - Spreader End	39083 39082 88-C-704 AN6DD25A AN960PD616 AN315D6R 88-C-705
	Eyebolt - Spreader End Washer Nut	88-C-706 AN960PD616 AN365-624
11	Tie Rod Assy. - Spreader Wirepull - Spreader Spacer Bolt Washer Nut	3393-9725 88-C-708-2.2-39 88-C-710 AN6-24A AN960PD616 AN365-624
12-13	Float Deck Attach. Fwd. L/R Fitting - Fwd. Float Swivel Fitting - Diag. Float Swivel Bolt Washer Nut	38998L/99R 38997 AN6-42A AN960PD616 AN365-624
14-15	Float Deck Attach. Aft L/R Fitting - Aft Float Swivel Bolt Washer Nut	39003 AN6-27A AN960PD616 AN365-624
16-17	Fuselage Attachment - Forward L/R Fitting - Forward Fuselage Attach. L/R	Piper Fitting (#63361-1)
18-19	Wing Attachment Aft L/R Fitting - Aft Wing Swivel L/R Bolt Washer Nut	Piper Fitting 39004 AN6-34A AN960PD616 AN365-624

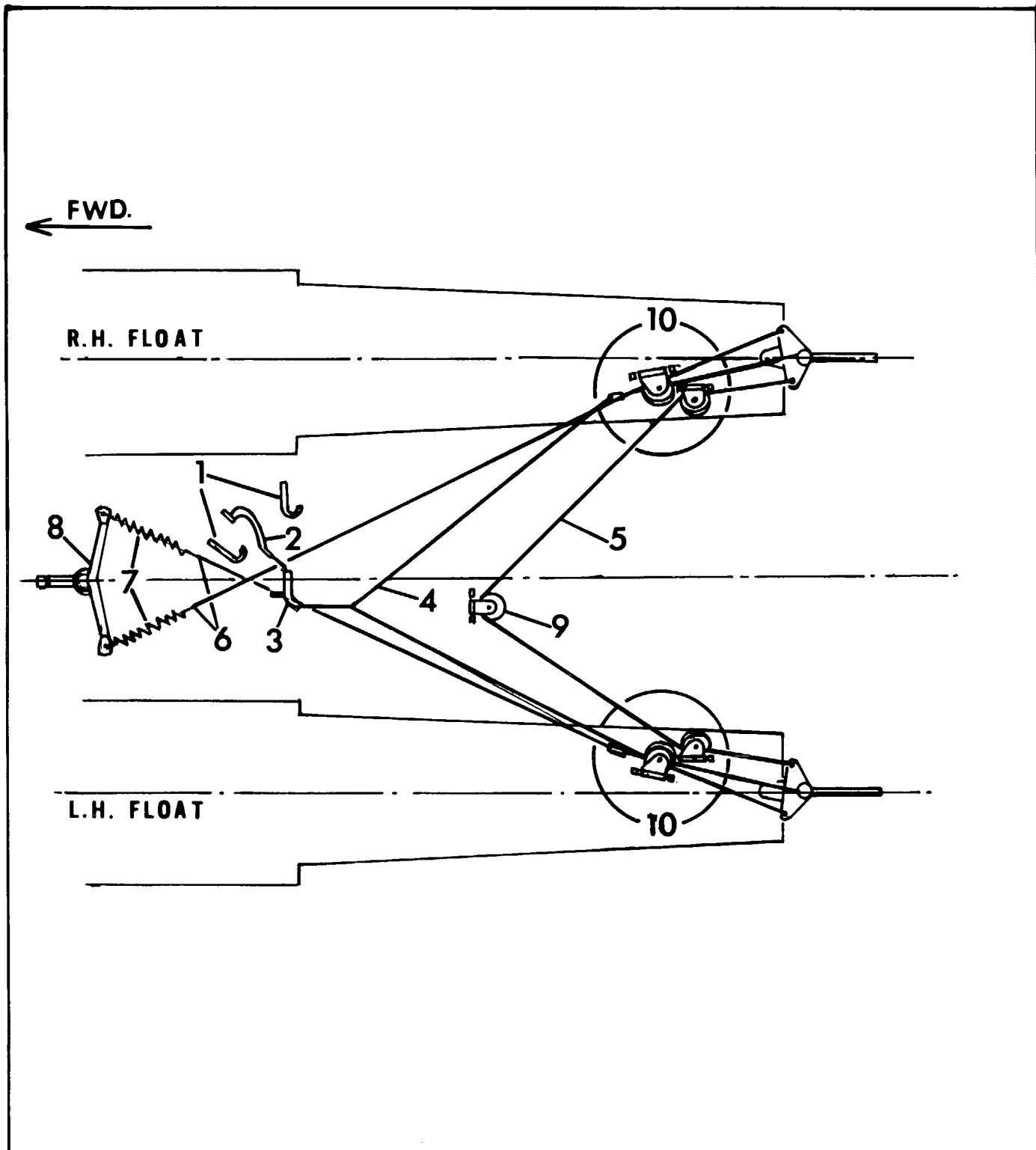


Figure #2  
 EDO WATER RUDDER CONTROLS  
 (Schematic)

( CONFIGURATION "C" )

TABLE 2. EDO WATER RUDDER CONTROLS (CONFIGURATION "C")  
 FOR PIPER PA-28 AIRPLANES ON MODEL 089/089A-2000 FLOATS  
 (Installation Assembly Model 089/089A25)

KEY TO FIGURE 2.

REF. NO.	PART NAME AND ATTACHING HARDWARE	PART NUMBERS Figure in ( ) Indicates Quantity per Installation
1	Hook - Retracting Cable Handle Screw Washer Nut	88-Ws-503 (2) AN525-1032-10 (2) AN960PD10 (2) AN365-1032 (2)
2	Handle, Retract	0367 (1)
3	Fairlead Tube Assy. Screw Washer Nut	40573 (1) AN526-1032-10 (1) AN960PD10 (1) AN365-1032 (1)
4	Cable Assy. - Retract Nicopress Sleeve	3341-372-3341 (1) 28-2-G (2)
5	Cable Assy. - Interfloat	3343-240-3353 (1)
6	Cable Assy. - Rudder Control	3342-192-3353 (2)
7	Spring	D-376 (1)
8	Tiller Assembly	40516 (1)
9	Pulley Bracket Assy. (Interfloat) Consisting Of Pulley Bracket Sub-Assembly Pin, Flat Head Pin, Cotter Eyebolt Washer Nut	2256 (1)  2256-1 (1) AN394-41 (1) AN381-2-8 (1) 00-W-850 (2) AN960PD416 (2) AN365-428 (2)
10	Deck Hardware, Water Rudder Control Consisting Of Pulley Bracket Assy. (For Breakdown See Item #10a) Spacer (Inside Float on Eyebolt) Fairlead Assy. Consisting Of Fairlead Bracket Spacer, Fairlead Screw Washer Nut	89-Ws-505 (2)  60-W-911 (2)  92-Ws-506-1 (2) 68-W-654- (2)  0494 (4) 68-W-654-1 (2) 2712 (2) AN526-1032-18 (2) AN960PD10 (2) AN365-1032 (2)

TABLE 2. EDO WATER RUDDER CONTROLS (CONFIGURATION "C")  
 FOR PIPER PA-28 AIRPLANES ON MODEL 089/089A-2000 FLOATS  
 (Installation Assembly Model 089/089A25)

KEY TO FIGURE 2.

REF. NO.	PART NAME AND ATTACHING HARDWARE	PART NUMBERS Figure in ( ) Indicates Quantity per Installation
10a	Pulley Bracket Assy. Consisting Of Pulley Bracket Sub-Assembly Pin, Flat Head Pin, Cotter Eyebolt Washer Nut	60-W-911 (1)  60-W-911-1 (1) AN394-73 (1) AN381-2-8 (1) 00-W-850 (2) AN960PD416 (2) AN365-428 (2)