

TABLE OF CONTENTS

Edo Inst. Model No.	Edo Float Model No.	Cessna Airplane Model No.	Edo Attachment Gear	Edo Strut Fairings and Steps	Edo Water Rudder Controls	Edo Hydraulic Installation	Edo Cockpit Control Unit
509	249A-2870	185	Figure 1, Pg. 4	Figure 3, Pg. 8	Figure 4, Pg. 10 Table 4, Pg. 11		
558		180	Table 1, Pg. 5		Figure 5, Pg. 12 Table 5, Pg. 13		
598	597-2790 Amphibious	180	Figure 2, Pg. 6	Table 3, Pg. 9	Figure 6, Pg. 14	Figure 7, Pgs. 16, 18 Table 7, Pgs. 17, 19	Figure 8, Pg. 20 Table 8, Pg. 21
683	628-2960		185		Table 2, Pg. 7	Table 6, Pg. 15	

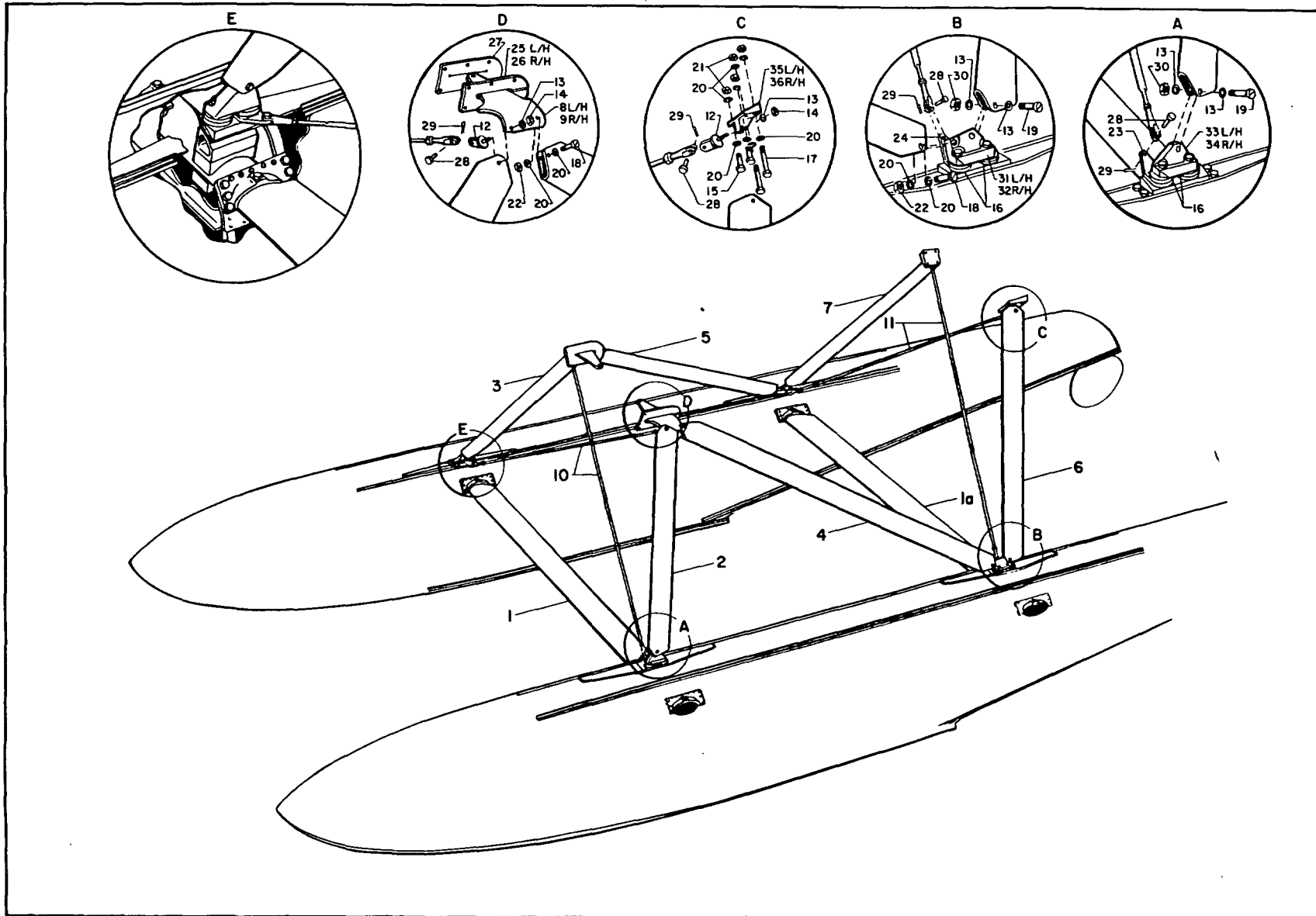


Figure 1 - Edo Attachment Gear

For

Edo 249A-2870 Floats on Cessna 185 Airplane (Installation Model 509)

Edo 249A-2870 Floats on Cessna 180 Airplane (Installation Model 558)

TABLE 1. EDO ATTACHMENT GEAR NO. 509 AND 558  
KEY TO FIGURE 1

REF. NO.	PART NUMBER	PART NAME	REF. NO.	PART NUMBER	PART NAME
1	36657-10	Spreader Assembly (Fwd)	19	AN27-31A	Bolt, Clevis
1A	36657	Spreader Assembly (Aft)	20	AN960PD516	Washer
2	36809	Front Strut L/H	21	AN365-524	Nut
3	36810	Front Strut R/H	22	AN364-524	Nut
4	37585	Diag. Strut Assy L/H	23	3092-24	Wirepull-Frt. Deck
5	37586	Diag. Strut Assy R/H	24	3092-28	Wirepull-Rear Deck
6	37165	Rear Strut Assy L/H	25	16792	Cover Plate, L/H
7	37166	Rear Strut Assy R/H	26	16793	Cover Plate, R/H
8	38947	Frt. Fuselage Fitting L/H	27	16794	Gasket, Cover
9	38948	Frt. Fuselage Fitting R/H	28	AN396-21	Pin, Flat Head
10	36734	Cross Wire Assy, Front	29	AN381-3-12	Pin, Cotter
11	36735	Cross Wire Assy, Rear	30	AN364-720	Nut
12	3107-23	Eyebolt	31	36730	Fitting, Rear Deck L/H
13	AN960PD716	Washer	32	36731	Fitting, Rear Deck R/H
14	AN365-720	Nut	33	36728	Fitting, Frt. Deck L/H
15	AN5-12A	Bolt	34	36729	Fitting, Frt. Deck R/H
16	3093	Spacer, Deck	35	36652	Fitting, Rear Fuselage L/H
17	AN5-32A	Bolt	36	36653	Fitting, Rear Fuselage R/H
18	AN25-28A	Bolt, Clevis			

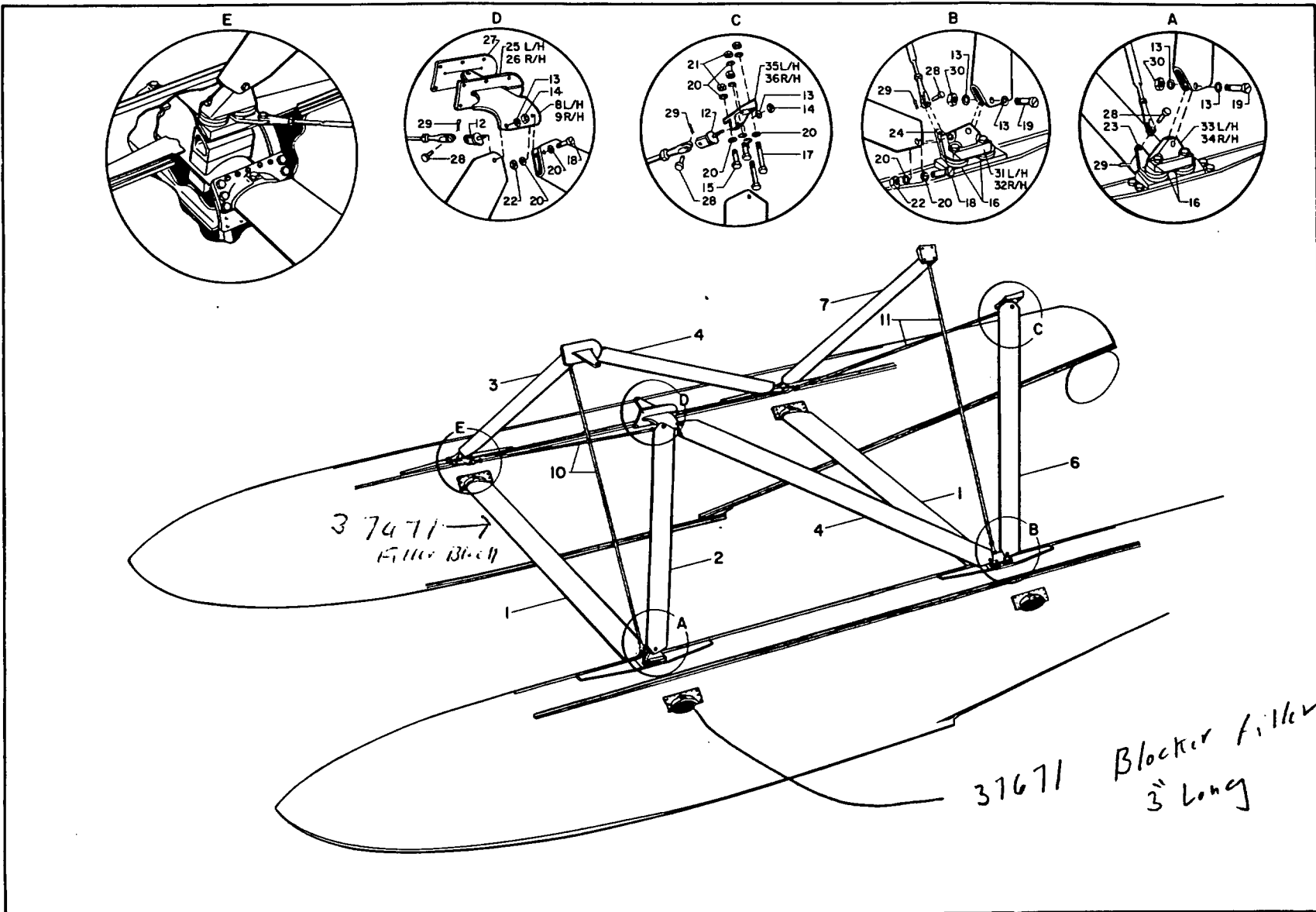


Figure 2 - Edo Attachment Gear  
For

Edo 597-2790 Amphibious Floats on Cessna 180 and 185 Airplane (Installation Model 598)  
Edo 628-2960 Floats on Cessna 180 and 185 Airplane (Installation Model 683)

TABLE 2. EDO ATTACHMENT GEAR NO. 598 AND 683  
KEY TO FIGURE 2

REF. NO.	PART NUMBER	PART NAME	REF. NO.	PART NUMBER	PART NAME
1	36657-10 - 145 <sup>50</sup>	Spreader Assembly	20	AN960PD516	Washer
2	36809	Front Strut L/H	21	AN365-524	Nut
3	36810	Front Strut R/H	22	AN364-524	Nut
4	37583	Diag. Strut	23	3092-24	Wirepull-Frt. Deck
6	36812	Rear Strut L/H	24	3092-28	Wirepull-Rear Deck
7	36813	Rear Strut R/H	25	16792	Cover Plate, L/H
8	38947	Frnt. Fuselage Fitting L/H	26	16793	Cover Plate, R/H
9	38948	Frnt. Fuselage Fitting R/H	27	16794	Gasket, Cover
10	3397-6600	Cross Wire Assy, Front	28	AN396-21	Pin, Flat Head
11	3397-6325	Cross Wire Assy, Rear	29	AN381-3-12	Pin, Cotter
12	3107-23	Eyebolt	30	AN364-720	Nut
13	AN960PD716	Washer	31	36730	Fitting, Rear Deck L/H
14	AN365-720	Nut	32	36731	Fitting, Rear Deck R/H
15	AN5-12A	Bolt	33	36728	Fitting, Frt. Deck L/H
16	3093	Spacer, Deck	34	36729	Fitting, Frt. Deck R/H
17	AN5-32A	Bolt	35	36652	Fitting, Rear Fuselage L/H
18	AN25-28A	Bolt, Clevis	36	36653	Fitting, Rear Fuselage R/H
19	AN27-31A	Bolt Clevis			

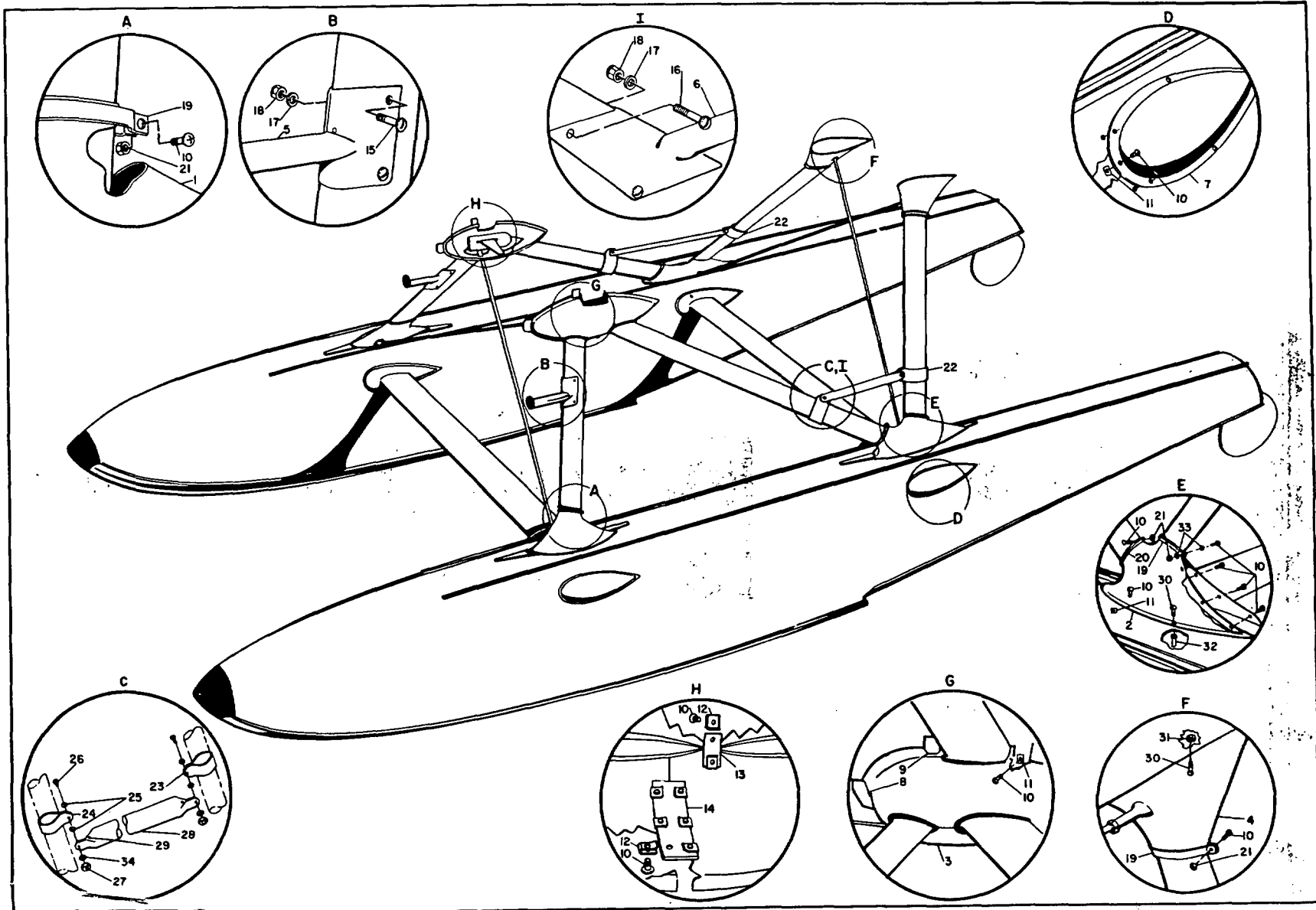


Figure 3 - Edo Strut Fairings and Stems  
For  
All Installation Models (509, 558, 598 and 683)

597-1140

TABLE 3. EDO STRUT FAIRINGS AND STEPS NO. 509, 558 AND 683  
KEY TO FIGURE 3

REF. NO.	PART NUMBER	PART NAME	REF. NO.	PART NUMBER	PART NAME
1	37566	Fairing Assy Frt., Float L/H	14	37570-2	Splice, Forward
	37567	Fairing Assy Frt., Float R/H	15	AN24-31A	Bolt, Clevis
2	37568	Fairing Assy Rear, Float L/H	16	AN24-29A	Bolt, Clevis
	37569	Fairing Assy Rear, Float R/H	17	AN960PD416	Washer
3	37570	Fairing Assy Frt., Fuselage L/H	18	AN364-428	Nut
	37571	Fairing Assy Frt., Fuselage R/H	19	37574	Clamp Assembly
4	37572	Fairing Assy Rear, Fuselage L/H	20	37576	Clamp Assembly
	37573	Fairing Assy Rear, Fuselage R/H	21	AN364-832	Nut
5	37706	Step Assy, Front Strut	22	48735*	Step Assembly, Diag. Strut
6	37707	Step Assy, Diag. Strut	23	48736*	Clamp
7	37254	Fairing Assy, Spreader Outboard	24	46067-2*	Clamp
	37255 509-0951-1	Fairing Assy, Spreader Inboard L/H	25	33596*	Filler
	37256 628-0951-1	Fairing Assy, Spreader Inboard R/H	26	AN5-11A*	Bolt
			27	AN365-524*	Nut
			28	46067*	Tube Assembly
8	37712	Clamp, Leading Edge	29	AN535-6-4*	Screw
9	37713	Clamp, Side	30	AN525-832R9	Screw, Washer Head
10	AN525-832R6	Screw, Washer Head	31	A8K160	Rivnut
11	C-7000-832-373	Speed Nut	32	A8K75	Rivnut
12	C-8104-832-373	Speed Nut	33	AN960PD8L	Washer
13	37570-3	Splice, Center	34	AN960PD516	Washer

Note: \*Step Assembly 48735 replaces Step Assembly 37707 and Clevis Bolt AN24-29A on later production models.

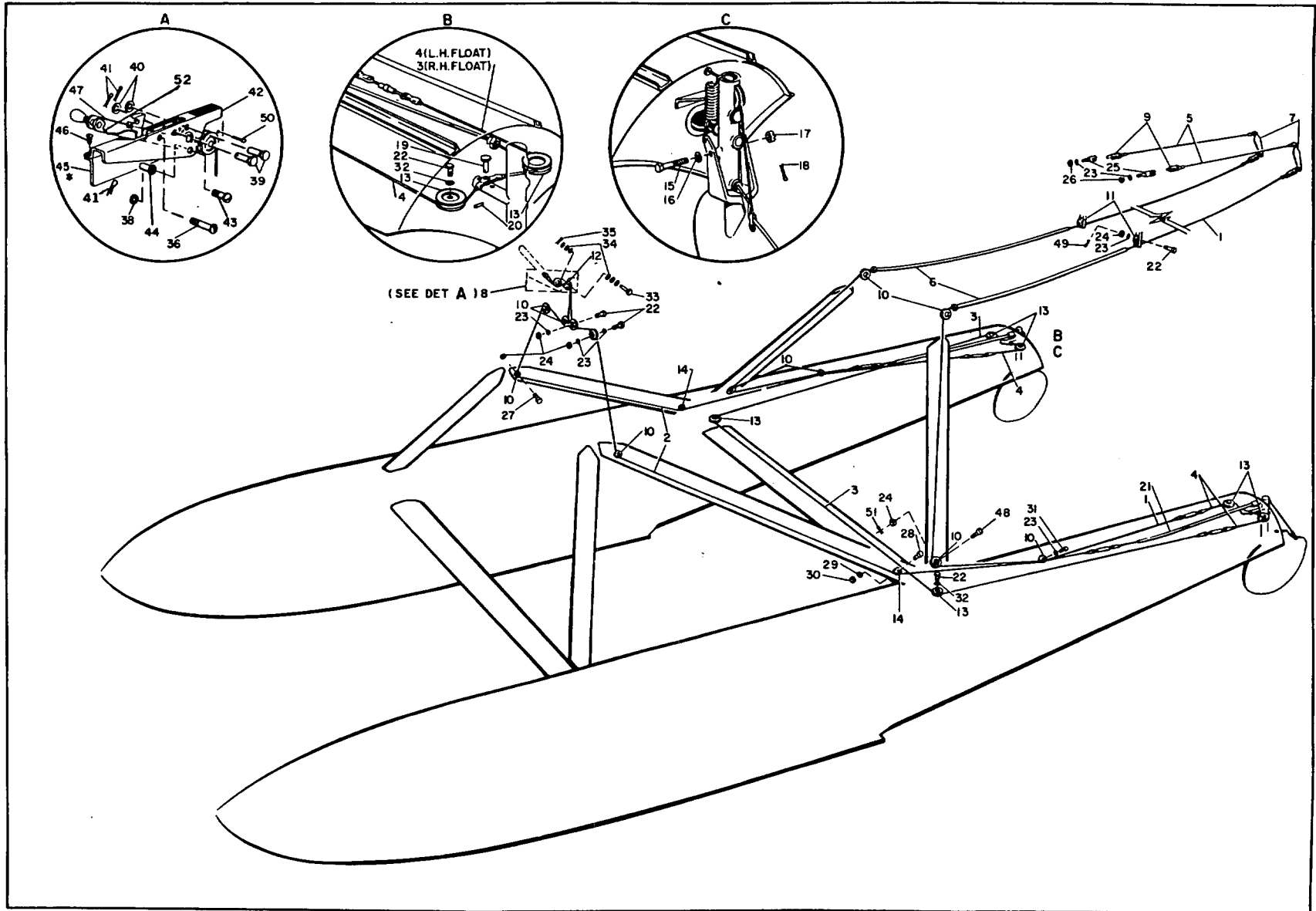


Figure 4 - Edo Water Rudder Controls  
For  
Edo 249A-2870 Floats on Cessna 185 Airplane (Installation Model 509)



TABLE 4. EDO WATER RUDDER CONTROLS NO. 509  
KEY TO FIGURE 4

REF. NO.	PART NUMBER	PART NAME	REF. NO.	PART NUMBER	PART NAME
1	3171	Cable Assy-W. R. Control	27	AN509-416R15	Screw
2	3172-28	Cable Assy-W. R. Retracting	28	AN509-10R26	Screw
3	3173	Cable Assy-W. R. Interfloat	29	AN960PD10	Washer
4	3174	Cable Assy-Tiller	30	AN364-1032	Nut
5	3209	Cable Assy-Air Rudder Centering	31	AN4-13A	Bolt
6	38083	Fairlead Tube Assy, Fuselage	32	AN960PD416L	Washer
7	38007	Bellcrank Assy-W. R. Control	33	AN394-31	Pin, Flat Head
8	54699	Handle Assy-W. R. Retracting	34	AN960-416L	Washer
9	38102	Spring, Air Rudder Centering	35	AN381-2-7	Pin, Cotter
10	AN219-2	Pulley	36	AN394-35	Pin, Flat Hd
11	AN210-3B	Pulley	37	(Deleted)	
12	37709	Pulley	38	AN960-416	Washer
13	AN219-4	Pulley	39	AN393-33	Pin, Flat Head
14	37082	Fairlead-Roller	40	AN960-10L	Washer
15	AN7-34	Bolt	41	AN381-2-6	Pin, Cotter
16	AN960PD716	Washer	42	54698	Shroud Assembly
17	AN320-7	Nut	43	AN525-832R7	Screw
18	AN381-3-14	Pin, Cotter	44	S8K106	Rivnut
19	AN393-35	Pin, Flat Head	45*	39032*	Angle Assy, Backup
20	AN416-1	Pin, Retainer	46	AN525-832R9	Screw
21	37564	Cable & Fairlead Tube Assy	47	39036	Handle
22	AN4-10A	Bolt	48	AN509-416R16	Screw
23	AN960PD416	Washer	49	AN381-3-12	Pin, Cotter
24	AN364-428	Nut	50	AN381-3-20	Pin, Cotter
25	AN43B-5A	Eyebolt	51	AN381-3-30	Pin, Cotter
26	AN365-428	Nut	52	37716	Spring

\*For Aircraft Models Prior To 1964.

Revised 1/1/72

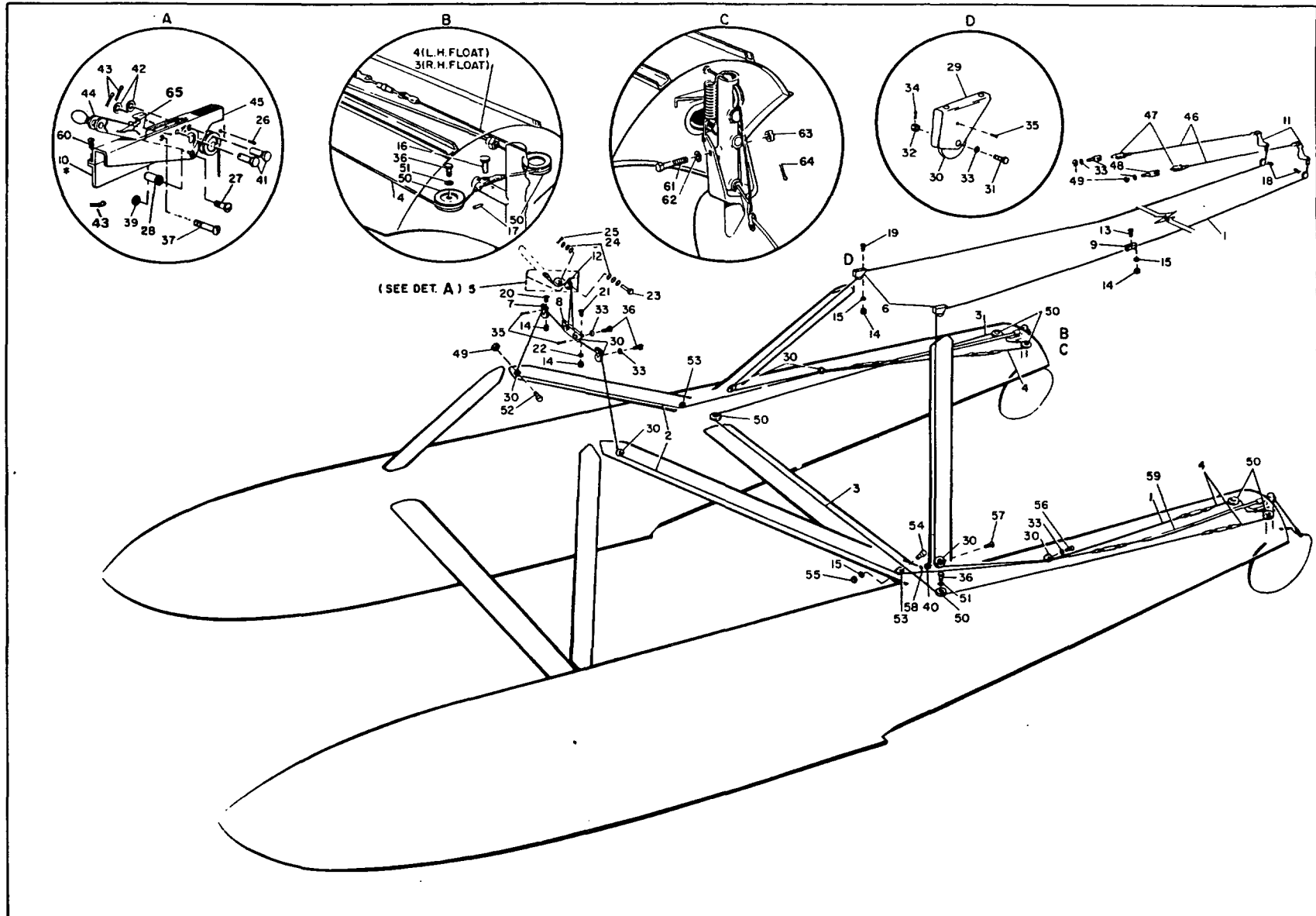


Figure 5 - Edo Water Rudder Controls  
For  
Edo 249A-2870 Floats on Cessna 180 Airplane (Installation Model 558)

TABLE 5. EDO WATER RUDDER CONTROLS NO. 558  
KEY TO FIGURE 5

REF. NO.	PART NUMBER	PART NAME	REF. NO.	PART NUMBER	PART NAME
1	3171	Cable Assy-W. R. Control	34	AN381-2-8	Pin, Cotter
2	3172-28	Cable Assy-W. R. Retracting	35	AN381-3-12	Pin, Cotter
3	3173	Cable Assy-W. R. Interfloat	36	AN4-10A	Bolt
4	3174	Cable Assy-Tiller	37	AN394-34	Pin, Flat Hd.
5	54699	Handle Assy-W. R. Retracting			Spacer
6	<del>38939</del>	Pulley Bracket Assy-W. R. Control	39	AN960-416L	Washer
7	38941	Pulley Bracket Assy-W. R. Outboard	40	AN364-428	Nut
8	38943	Pulley Bracket Assy-W. R. Control	41	AN393-33	Pin, Flat Head
9	68-W-654	Fairlead Assy	42	AN960-10L	Washer
10*	39032*	Angle Assy, Backup	43	AN381-2-6	Pin, Cotter
11	40642	Bellcrank, Extension	44	39036	Handle
12	37709	Pulley	45	54698	Shroud Assy
13	AN526-1032-8	Screw	46	3209	Cable Assy-Air Rudder
14	AN365-1032	Nut			Centering
15	AN960PD10	Washer	47	38102	Spring, Air Rudder Centering
16	AN393-35	Pin, Flat Head	48	AN43B-5A	Eyebolt
17	AN416-1	Pin, Retainer	49	AN365-428	Nut
18	AN381-4-20	Pin, Cotter	50	AN219-4	Pulley
19	AN3-6A	Bolt	51	AN960PD416L	Washer
20	AN507-1032-8	Screw	52	AN509-416R15	Screw
21	AN520-10-8	Screw	53	37082	Fairlead-Roller
22	AN970-3	Washer	54	AN509-10R26	Screw
23	AN394-31	Pin, Flat Head	55	AN364-1032	Nut
24	AN960-416L	Washer	56	AN4-13A	Bolt
25	AN381-2-7	Pin, Cotter	57	AN509-416R16	Screw
26	AN381-3-20	Pin, Cotter	58	AN381-3-30	Pin, Cotter
27	AN525-832R7	Screw	59	37564	Cable and Fairlead Tube Assy
28	S8K106	Rivnut	60	AN525-832R9	Screw
29	38940	Bracket	61	AN7-34	Bolt
30	AN219-2	Pulley	62	AN960PD716	Washer
31	AN4-10	Bolt	63	AN320-7	Nut
32	AN310-4	Nut	64	AN381-3-14	Pin, Cotter
33	AN960PD416	Washer	65	37716	Spring

\*For Aircraft Models Prior to 1964.

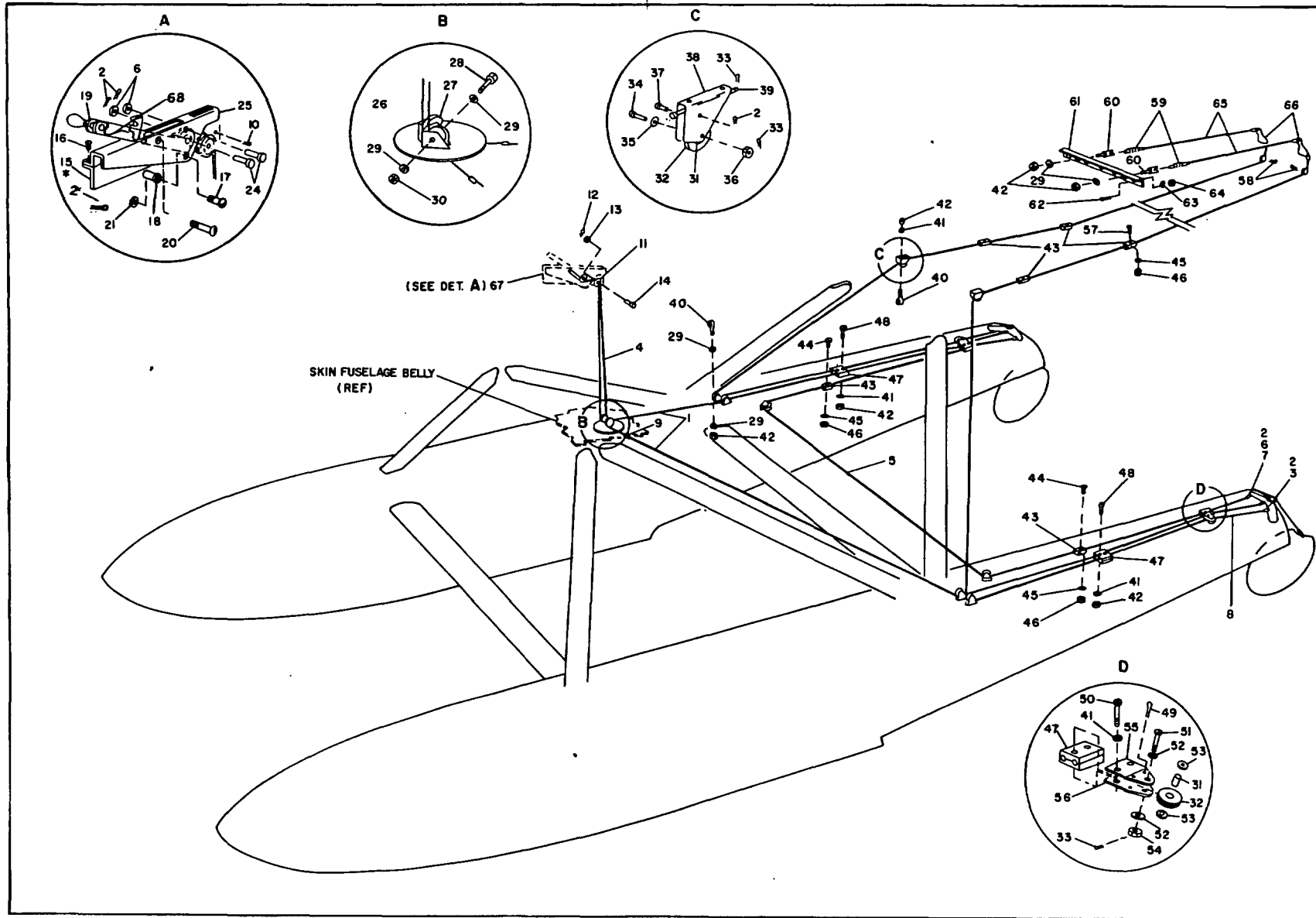


Figure 6- Edo Water Rudder Controls  
For  
Edo 597-2790 Amphibious Floats on Cessna 180 and 185 Airplane (Installation Model 598)  
Edo 628-2960 Floats on Cessna 180 and 185 Airplane (Installation Model 683)

TABLE 6. EDO WATER RUDDER CONTROLS NO. 598 AND 683  
KEY TO FIGURE 6

Revised 1/1/72

REF. NO.	PART NUMBER	PART NAME	REF. NO.	PART NUMBER	PART NAME
1	3343-240.0-3355	Cable Assy-W. R. Retracting, Aft ✓	34	AN3-7	Bolt
2	AN381-2-6	Pin, Cotter	35	AN960D10	Washer
3	AN393-11	Pin, Flat Head	36	AN310-3	Nut
4	3340-70.0-3355	Cable Assy-W. R. Retracting, Fwd ✓	37	AN393-15	Pin, Flat Head
5	3343-284.0-3353	Cable Assy-Interfloat ✓	38	0209	Bracket
6	AN960-10L	Washer	39	AN394-73	Pin, Flat Head
7	AN393-9	Pin, Flat Head	40	00-W-850	Bolt
8	3342-340.0-3353	Cable Assy-Control	41	AN960D416	Washer
9	28-2-G	Sleeve, Nicopress	42	AN365-428	Nut
10	AN381-3-20	Pin, Cotter	43	68-W-654	Fairlead Assy
11	37709	Pulley	44	AN525-10-7	Screw
12	AN381-2-7	Pin, Cotter	45	AN960PD10	Washer
13	AN960-416L	Washer	46	AN365-1032	Nut
14	AN394-31	Pin, Flat Head	47	16588	Fairlead
15*	39032*	Angle Assy, Backup	48	AN525-416R22	Screw
16	AN525-832R9	Screw	49	AN381-3-14	Pin, Cotter
17	AN525-832R7	Screw	50	AN525-416R24	Screw
18	S8K106	Rivnut	51	AN23-14	Bolt, Clevis
19	39036	Handle	52	AN960D10L	Washer
20	AN394-23	Pin, Flat Hd.	53	AN960-10	Washer
21	AN960-416	Washer	54	AN320-3	Nut
22		(Deleted)	55	16590	Bracket, Upper
23		(Deleted)	56	16591	Bracket, Lower
24	AN393-33	Pin, Flat Head	57	AN526-1032-8	Screw
25	54698	Shroud Assy	58	AN381-4-20	Pin, Cotter
26	45150	Cover Assy, Pulleys	59	38102	Spring, Air Rudder Centering
27	AN219-2	Pulley	60	AN43B-5A	Eyebolt
28	AN4-10A	Bolt	61	40641	Angle
29	AN960PD416	Washer	62	AN525-832-8	Screw
30	MS20365-428	Nut	63	AN960PD8	Washer
	60-W-911	Pulley Bracket Assy	64	AN365-832	Nut
31	0210	Bushing	65	3209	Cable Assy, Air Rudder
32	0915-1	Pulley			Centering
33	AN381-2-8	Pin, Cotter	66	40642	Extension
			67	54699	Handle Assy-W. R. Retracting
			68	37716	Spring

\*For Aircraft Models Prior to 1964

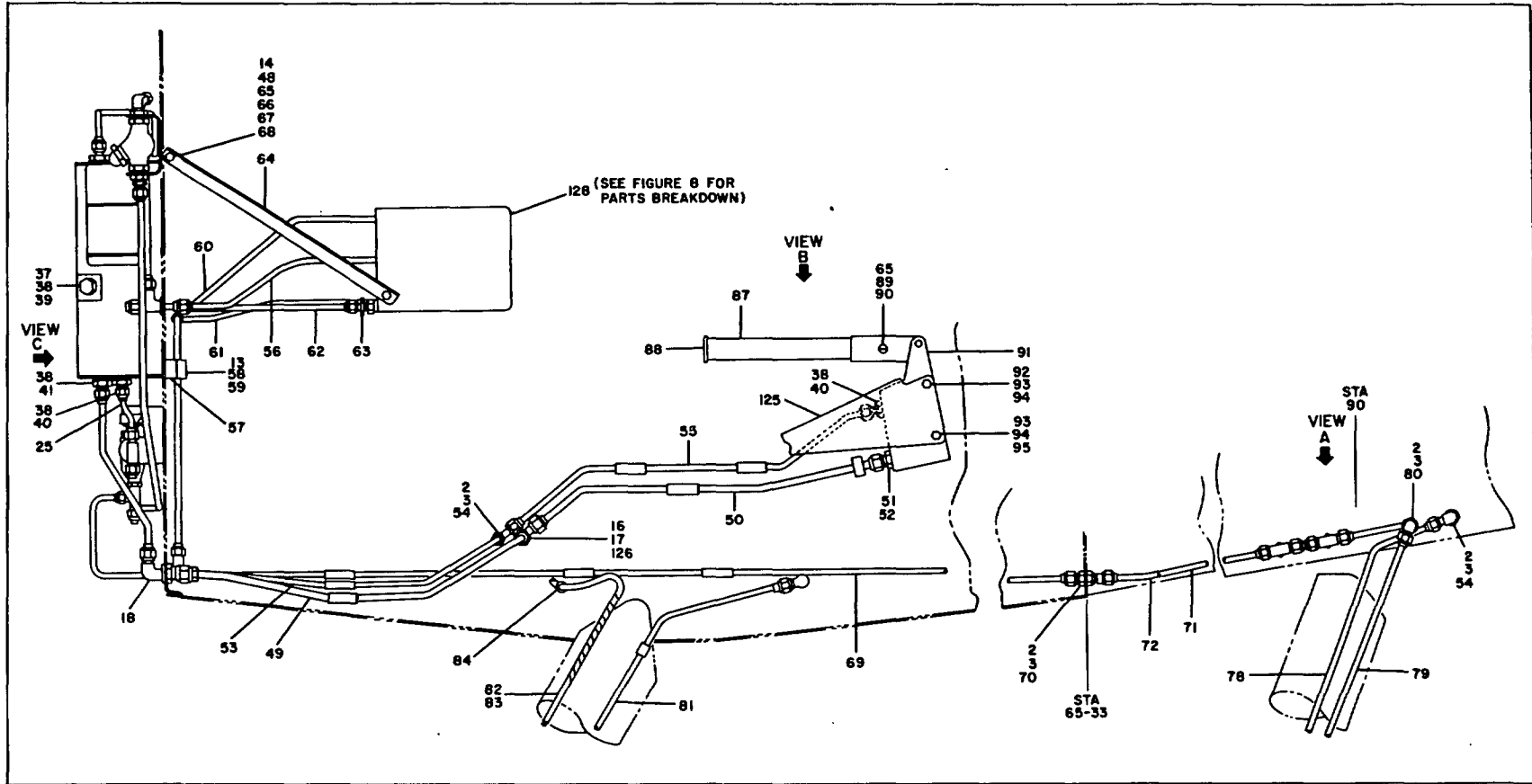


Figure 7 - Edo Hydraulic Installation (Sheet 1 of 2)  
 For  
 Edo 597-2790 Amphibious Floats on Cessna 180 and 185 Airplane (Installation Model 598)

TABLE 7. EDO HYDRAULIC INSTALLATION NO. 598  
KEY TO FIGURE 7

Revised 1/1/72

REF. NO.	PART NUMBER	PART NAME	REF. NO.	PART NUMBER	PART NAME
1	AN929-4D	Cap Assy.	37	AN814-6D	Plug
2	AN924-4D	Nut	38	MS28778-6	"O" Ring
3	AN960PD716	Washer	39	AN924-6D	Nut
4	AN804-4D	Tee	40	MS21916D6-4	Reducer
5	42716	Tube Assy	41	AN919-7D	Reducer
6	AN822-4D	Elbow, 90°	42	32377	Tie Rod
7	AN912-3D	Bushing, Reducer	43	32396	End Plate
8	42713	Tube Assy	44	AN6230-17	"O" Ring
9	AN816-4D	Nipple	45	32376	Baffle
10	4091-1-3/8D	Strainer	46	32668	Nameplate
11	42708	Bracket	47	32374	Wall
12	AN3-5A	Bolt	48	AN3-4A	Bolt
13	AN960PD10	Washer	49	42742	Tube Assy
14	AN365-1032	Nut	50	42753	Tube Assy
15	42718	Tube Assy	51	AN919-11D	Reducer
16	AN924-5D	Nut	52	MS28778-8	"O" Ring
17	AN960PD816	Washer	53	42743	Tube Assy
18	AN833-6D	Elbow, 90°	54	AN833-4D	Elbow 90°
19	42715	Tube Assy	55	42754	Tube Assy
20	AN826-4D	Tee	56	42733	Tube Assy
21	AN742D18	Clamp	57	53661	Clamp
22	AN501-10-12	Screw	58	42740	Clamp
23	NAS43DD3-24	Spacer	59	AN503-10-16	Screw
24	627-7-1/8	Valve, Relief	60	42736	Tube Assy
25	42714	Tube Assy	61	42735	Tube Assy
26	AN825-4D	Tee	62	42734	Tube Assy
27	42707	Bracket	63	AN815-4D	Union
28	MS21919DF4	Clamp	64	42738	Brace
29	42717	Tube Assy	65	AN960PD10L	Washer
30	42765	Reservoir Assy	66	AN43B-4	Eyebolt
31	32378	Bracket	67	AN363-428	Nut
32	AN3-6A	Bolt	68	AN960PD416	Washer
33	AN3-12A	Bolt	69	1648-631-4	Tube Assy
34	800-015-10	Lock-O-Seal	70	AN832-4D	Union
35	AN315-3R	Nut	71	1648-211-1	Tube Assy
36	32379	Plug, Filler	72	1648-192-0	Tube Assy

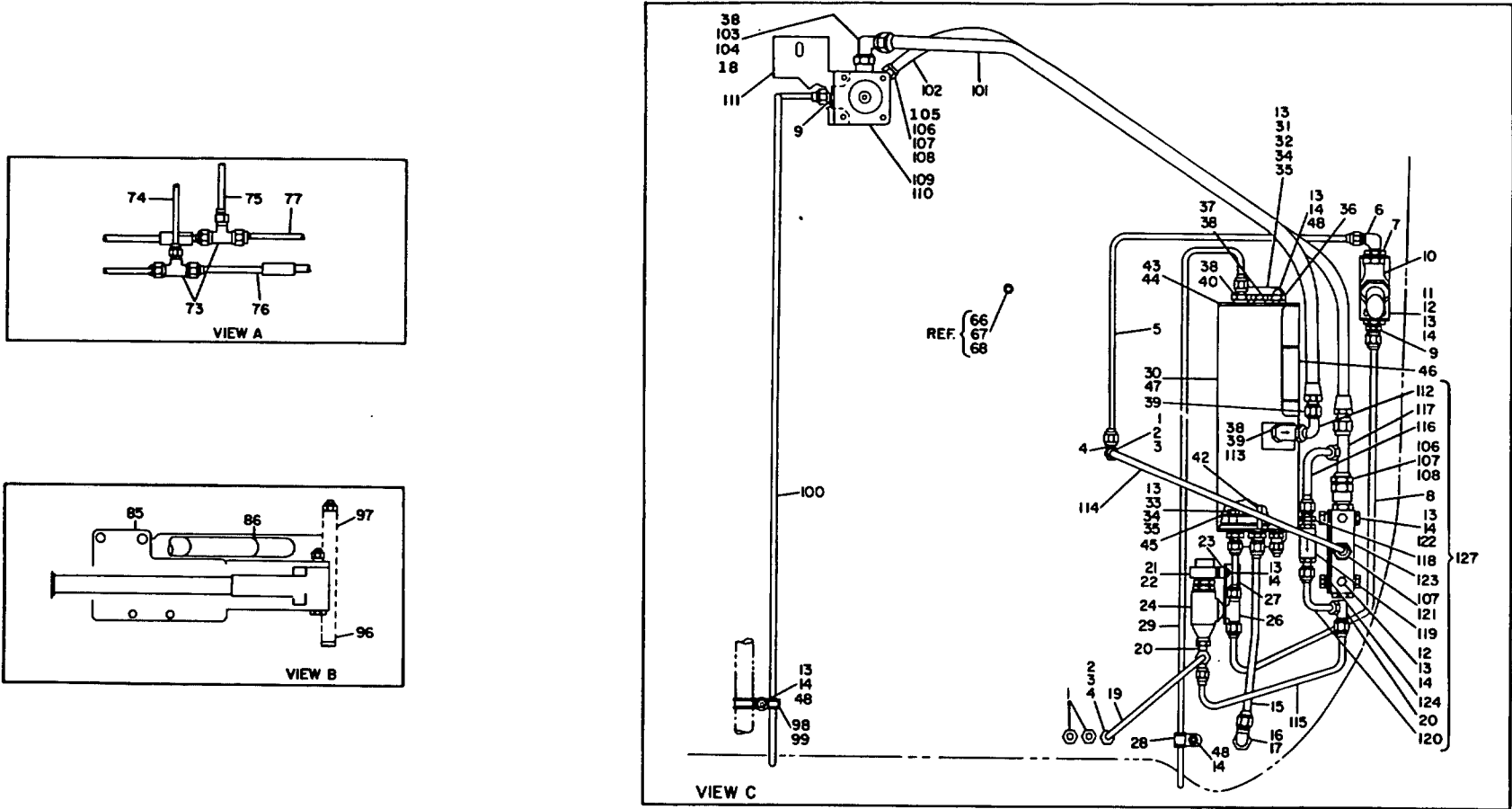


Figure 7 - Edo Hydraulic Installation (Sheet 2 of 2)  
For  
Edo 597-2790 Amphibious Floats on Cessna 180 and 185 Airplane (Installation Model 598)



TABLE 7. EDO HYDRAULIC INSTALLATION NO. 598  
KEY TO FIGURE 7 (cont.)

REF. NO.	PART NUMBER	PART NAME	REF. NO.	PART NUMBER	PART NAME
73	AN824-4D	Tee	100	42741	Tube Assy
74	42752	Tube Assy	101	MS28741-6-0320	Hose
75	42751	Tube Assy	102	MS28741-5-0380	Hose
76	42750	Tube Assy	103	AN6289-6D	Nut
77	42749	Tube Assy	104	MS28777-6	"O" Ring
78	1648-493-3	Tube Assy	105	54657	Elbow
79	1648-473-3	Tube Assy	106	AN6289-5D	Nut
80	AN837-4D	Elbow 45°	107	MS28778-5	"O" Ring
81	1648-512-3	Tube Assy	108	MS28777-5	"O" Ring
82	31882	Terminal, Lug	109	AN4045-1	Gasket
83	1896	Cable	110	67B025	Pump, Hydraulic
84	AN931-3-10	Grommet, Rubber	111	54635	Bracket
85	33271	Cover, Fwd	112	AN822-6D	Elbow
86	36598	Placard Flaps	113	487-6D2	Valve, Check
87	32383	Handle Assy	114	42720	Tube Assy
88	NAS451-49	Button Plug	115	42719	Tube Assy
89	AN23-28A	Bolt, Clevis	116	42864	Tube Assy
90	AN364-1032	Nut	117	AN804-5D	Tee
91	AN6201-1	Pump, Hydraulic (Alternate Pump AN6248-2)	118	AN816-5D	Nipple
92	AN4-26A	Bolt	119	486-4D-2	Valve, Check
93	AN960PD416L	Washer	120	42865	Tube Assy
94	AN365-428	Nut	121	AN919-3D	Reducer
95	AN4-61A	Bolt	122	AN3-14A	Bolt
96	54643	Spacer	123	2-1659-11	Valve, Unloading
97	54644	Spacer	124	42709	Bracket
	42710	Pump Kit, Engine Driven (Optional)	125	32385	Bracket
			126	AN832-5D	Union
98	MS21919DF12	Clamp	127	42795	Valve Assy
99	MS21919DF4	Clamp	128	42737	Cockpit Control Unit Assy. (See Fig. 8 for Breakdown)

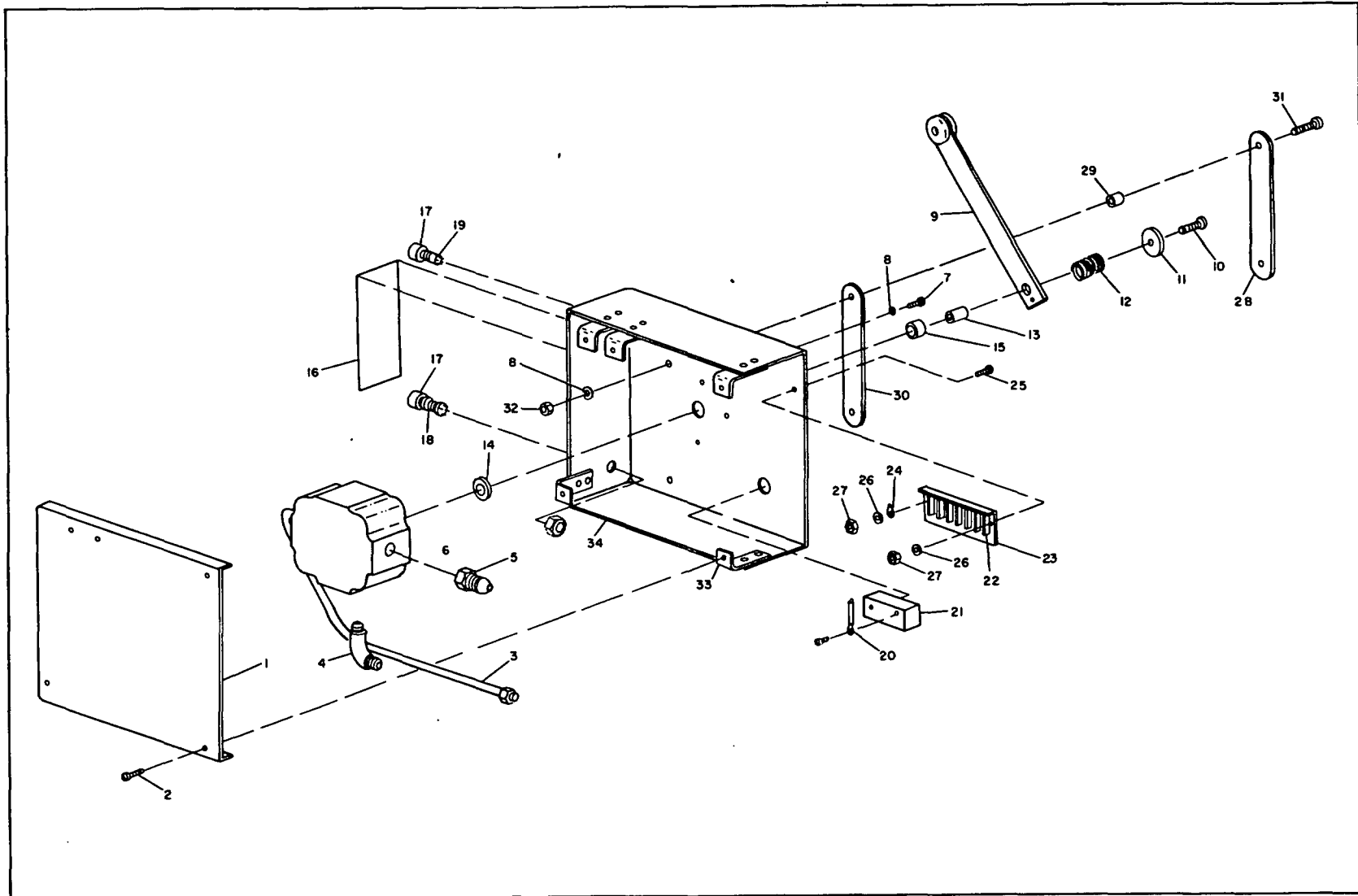


Figure 8 - Edo Cockpit Control Unit  
For

Edo 597-2790 Amphibious Floats on Cessna 180 and 185 Airplane (Installation Model 598)

TABLE 8. EDO COCKPIT CONTROL UNIT NO. 598  
KEY TO FIGURE 8

REF. NO.	PART NUMBER	PART NAME	REF. NO.	PART NUMBER	PART NAME
Fig. 8	42737	Cockpit Control Unit Assy			
1	42817	Lid	18	VM911M4	Indicator Light, Amber
2	AN507C632-6	Screw	19	VM911M10	Indicator Light, Blue
3	42843	Tube Assy	20	31882	Terminal, Lug
4	AN822-4D	Elbow, 90°	21	PSM-2N	Circuit Breaker
5	AN816-4D	Nipple	22	600-3/4ST-5	Terminal Board
6	8541-1/8	Valve, Selector	23	XXX-P (1-5)	Marker, Terminal Board
7	AN500A10-6	Screw	24	2104-06	Terminal, Lug
8	AN960PD10	Washer	25	AN507C632-10	Screw
9	50710	Arm Assy, Lever	26	1006	Washer
10	AN500A10-14	Screw	27	AN365C632	Nut
11	AN970-3	Washer		42815	Box Assy
12	9-1204-11	Spring	28	50708	Guard
13	50699-2	Spacer	29	50699-1	Spacer
14	35624	Detent Cam	30	50742	Guard
15	50743	Bushing	31	AN525-10R16	Screw
	42814	Electrical Assy	32	AN365-1032	Nut
16	35645	Placard	33	35629	Clip
17	330	Bulb	34	42816	Box