

RELEASED 11/25/74

FIGURE 1-EDO ATTACHMENT GEAR
 FOR
 EDO 582-3430 FLT'S ON CESSNA 185 AIRPLANE (INSTL MOD 582-12)

TABLE 1. EDO ATTACHMENT GEAR NO. 582-12
KEY TO FIGURE 1

REF. NO.	PART NUMBER	PART NAME	REF. NO.	PART NUMBER	PART NAME
1	38-3013	Spreader Assy.			
2	68391-1	Strut, Fwd L.H.			
3	68391-2	Strut, Fwd R.H.			
4	68392	Strut, Diag			
5	3395-9875	Tie Rod Assy.			
6	68393-1	Strut, Aft L.H.			
7	68393-2	Strut, Aft R.H.			
8	38947	Fitting, Fwd Fus L.H.			
9	38948	Fitting, Fwd Fus R.H.			
10	3397-6675	Tie Rod Assy.			
11	3107-23	Eyebolt			
12	AN960PD716	Washer			
13	AN365-720	Nut			
14	AN5-12A	Bolt			
15	3369	Spacer, Deck			
16	AN5-32A	Bolt			
17	AN25-28A	Bolt, Clevis			
18	AN27-31A	Bolt, Clevis			
19	AN960PD516	Washer			
20	AN365-524	Nut			
21	AN364-524	Nut			
22	3368-26	Wirepull, Fwd Deck			
23	3368-28	Wirepull, Aft Deck			
24	16792	Cover Plate L.H.			
25	16793	Cover Plate R.H.			
26	16794	Gasket Cover			
27	AN369-21	Pin, Flat Head			
28	AN381-3-12	Pin, Cotter			
29	AN364-720	Nut			
30	68395-1	Fitting, Aft Flt L.H.			
31	68395-2	Fitting, Aft Flt R.H.			
32	68394-1	Fitting, Fwd Flt L.H.			
33	68394-2	Fitting, Fwd Flt R.H.			
34	36652	Fitting, Aft Fus L.H.			
35	36653	Fitting, Aft Fus R.H.			
36	38-2003	Link			
37	AN8-56A	Bolt			
38	AN960PD816	Washer			
39	AN365-820	Nut			
40	3397-6925	Tie Rod Assy.			
41	AN27-30A	Bolt-Clevis			
42	AN960PD716L	Washer			

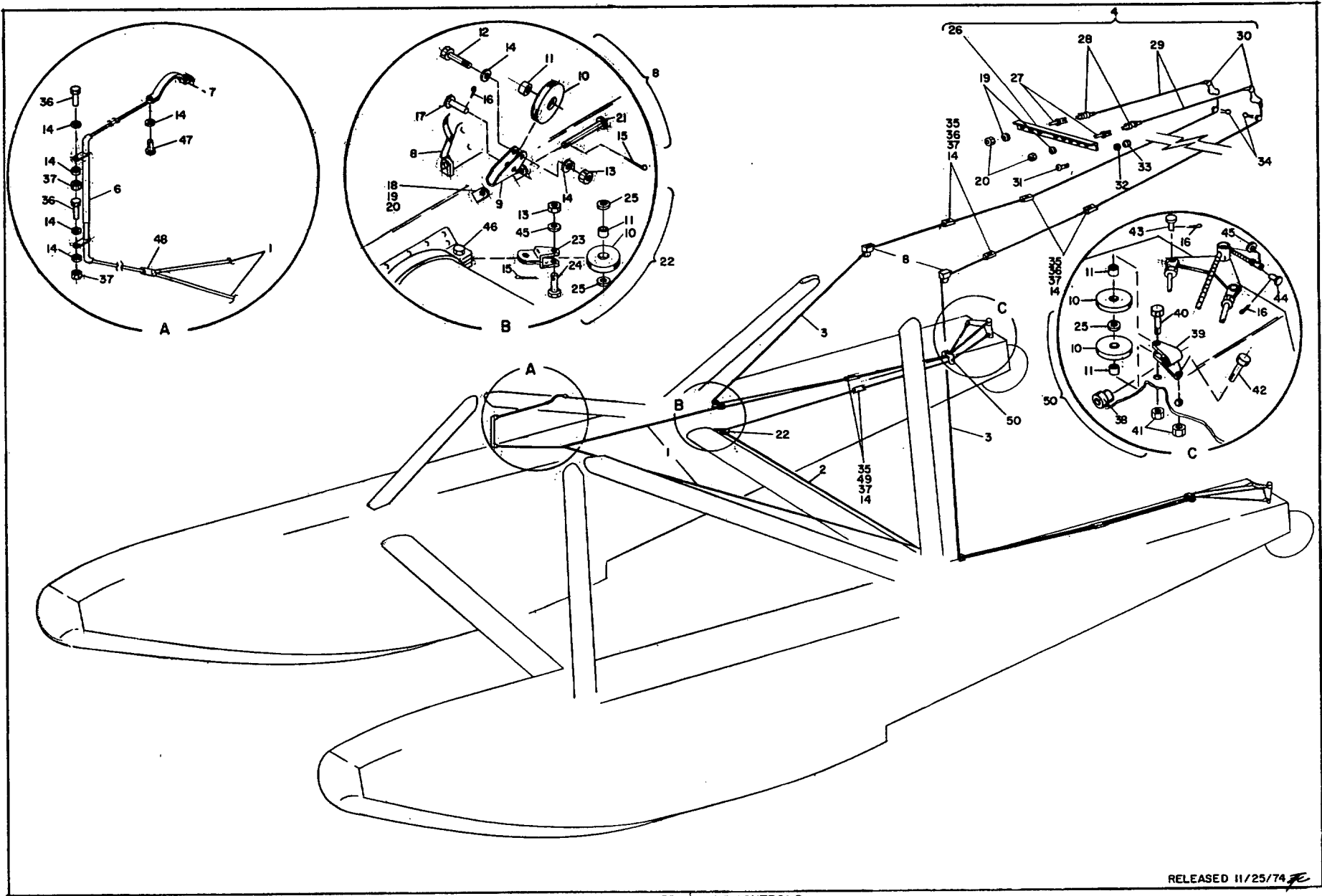


FIGURE 2. EDO WATER RUDDER CONTROLS
 FOR
 EDO 582-3430 FLOATS ON CESSNA 185 AIRPLANE (INST L MOD 582-12)

TABLE 2. EDO WATER RUDDER CONTROLS FOR EDO 582-3430 FLOATS
ON CESSNA 185 AIRPLANE (INSTL MOD 582-12)

REF NO.	PART NUMBER	PART NAME	REF NO.	PART NUMBER	PART NAME
1	3343-240.0-3355	Retract Cable Assy Aft	44	AN393-9	Pin-Flat Hd
2	3343-284.0-3353	Interfloat Cable Assy	45	AN960-10L	Washer
3	3342-340.0-3353	Control Cable Assy	46	AN3-12A	Bolt
4*	40640	Instl Air Rudder Centering Device*	47	AN525-10-8	Screw
			48	28-2-G	Nicopress Sleeve
5**	0742004-1	Air Rudder Centering Spring Instl**	49	AN526-1032-10	Screw
6	2831	Fairlead Tube Assy	50	3925	D'ble Pulley and Fairlead Assy
7	0367	Handle			
8	60-W-011	Pulley Bracket Assy			
9	0209	Bracket			
10	0915-1	Pulley			
11	02100 } 0915	Bushing			
12	AN3-7A	Bolt			
13	AN310-3	Nut			
14	AN960PD10	Washer			
15	AN381-2-8	Cotter Pin			
16	AN381-2-6	Cotter Pin			
17	AN393-15	Pin-Flat Hd			
18	00-W-850	Bolt			
19	AN960PD416	Washer			
20	AN365-428	Nut			
21	AN394-73	Pin-Flat Hd			
22	38-144	Pulley Assy			
23	38-145	Bracket Assy			
24	AN3-6	Bolt			
25	AN960PD10L	Washer			
26	40641	Angle			
27	AN43B-5A	Eyebolt			
28	38102	Spring, Air Rudder Centering			
29	3209	Cable Assy Air Rudder Centering Extension			
30	40642	Screw			
31	AN525-832-8	Washer			
32	AN960PD8	Nut			
33	AN365-832	Cotter Pin			
34	AN381-4-20	Fairlead			
35	68-W-654	Fairlead			
36	AN526-1032-8	Screw			
37	AN365-1032	Nut			
38	38-081	Fairlead			
39	38-099	Housing Double Pulley			
40	AN3-14A	Bolt			
41	MS20364-1032	Nut			
42	AN3-12A	Bolt			
43	AN393-11	Pin-Flat Hd			

* EFF. UP TO AIRCRAFT SER. NO.18502090

** EFF. AIRCRAFT SER. NO. 18502091 & UP (SUPPLIED BY CESSNA)

Rev. 11/29/74