

RH SIDE OF INSTALLATION SHOWN

Figure 1 - Model 89-2000 Float Installation for Aeronca 15

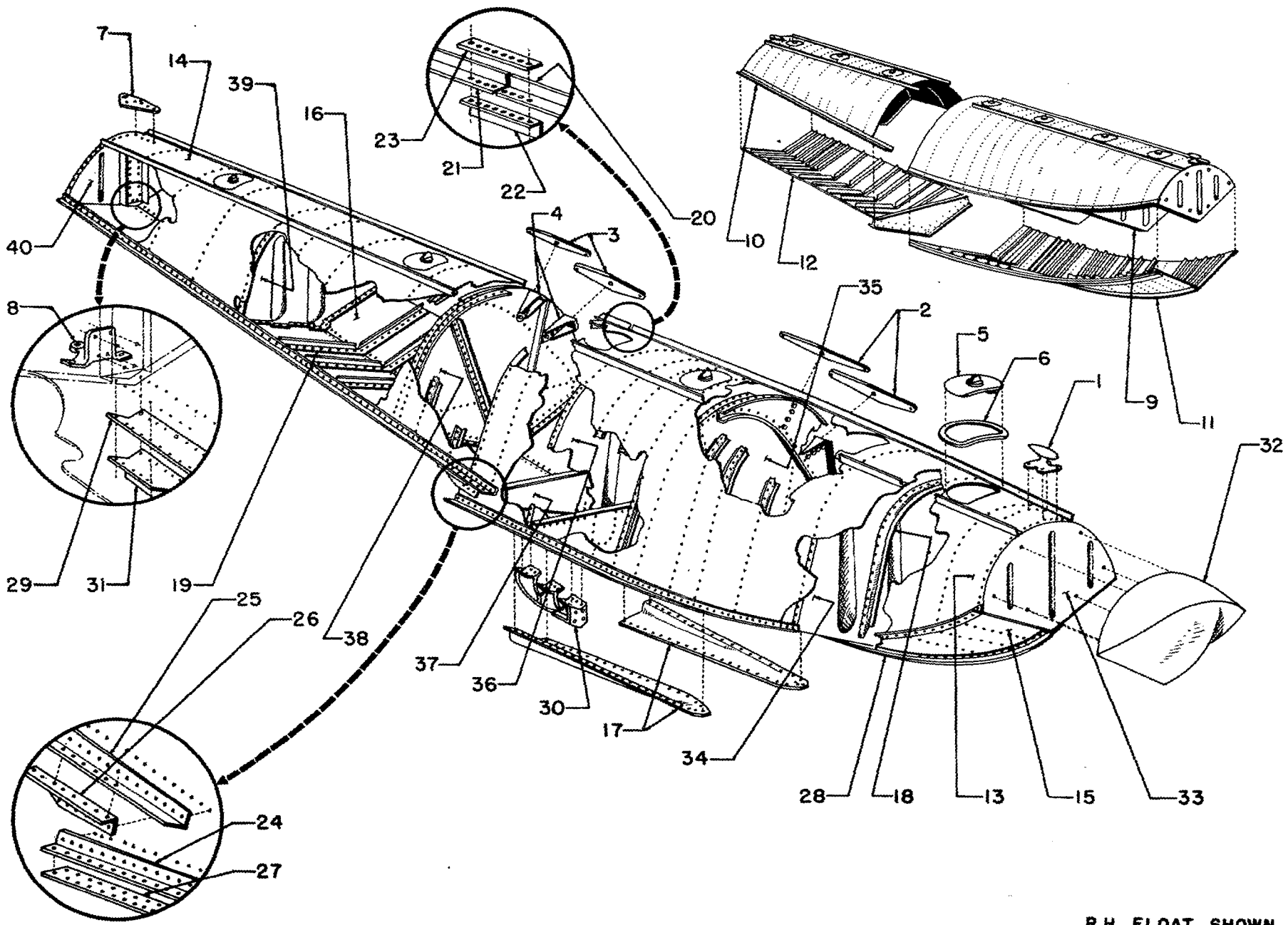


Ref. No.	Part Number	Part Name
1	89-A-011L	Float Assembly - Model 89-2000 LH See Figure 2 for parts.
2	89-A-011R	Float Assembly - Model 89-2000 RH (less water rudder assembly and control parts) See Figure 2 for parts.
3	000657	Fitting - Fuselage Front LH Swivel
4	000658	Fitting - Fuselage Front RH Swivel
5	000659	Wirepull - Fuselage Front LH Fitting
6	000660	Wirepull - Fuselage Front RH Fitting
7	000680	Fitting Assembly - Fuselage Rear LH
8	000681	Fitting Assembly - Fuselage Rear RH
9	000669	Spacer
10	AN741-T6P	Clamp - Tube
11	000667	Plate - Saddle
12	000666	Bolt - Angle
13	89-C-703	Spreader Assembly - Float
	89-C-703-1	Tube - Spreader
	88-C-704	Fitting - Spreader End
	88-C-705	Plate - Spreader End
	88-C-708-3.8-42	Wirepull - Spreader Side
	88-C-706	Eyebolt
14	88-C-708-1.9-27	Wirepull - Spreader Top
15	000656	Fitting - Float Front Swivel
16	000661	Fitting - Float Rear LH Swivel

Ref. No.	Part Number	Part Name
17	000662	Fitting - Float Rear RH Swivel
18	000676	Strut Assembly - Front
19	000664	Strut Assembly - Diagonal
20	000665	Strut Assembly - Rear
21	92-S-200-4	Wire Assembly - Front and Rear Cross
22	92-S-200-9	Wire Assembly - Float Spreader
23	5-503 (Aeronca)	Cover - Fuselage Front Bottom
24	2-1428 (Aeronca)	Cover - Fuselage Front Side
25	1-617 (Aeronca)	Ring - Reinforcing
26	1-618 (Aeronca)	Cover - Fuselage Rear Handhole
27	92-WS-508	Arm - Water Rudder Control
28	89-WS-501-2	Clamp - Pulley Attaching
29	60-W-911	Pulley Installation - Fuselage
30	60-W-911	Pulley Installation - Float Deck
31	68-W-654	Fairlead Assembly - Float Deck
32	0929-6	Cable Assembly - Water Rudder Control
	D-376	Spring - Control Cable
33	0928-4	Cable Assembly - Water Rudder Lift
	0367	Handle - Lift Cable
34	0001472	Guide - Lift Cable
35	0001474	Hook - Lift Cable
36	88-W-070-10	Rudder Assembly - Water
	88-W-075	Post Assembly - Water Rudder
	88-W-078	Blade Assembly - Water Rudder
	88-W-079	Spring - Water Rudder

to Figure 1





RH FLOAT SHOWN

Figure 2-Float Parts