

FIGURE I. EDO ATTACHMENT GEAR MODEL 089-14 FOR  
EDO 089/089A2000 FLOATS ON CESSNA 172 SERIES AIRPLANE

RELEASED: MAY, 1981

TABLE 1. EDO ATTACHMENT GEAR INSTALLATION MODEL 089-14 FOR CESSNA 172 ON 089/089A2000 FLOATS

KEY TO FIGURE 1.

REF NO.	QTY. PER			PART NUMBER	PART NAME	REF NO.	QTY. PER			PART NUMBER	PART NAME
	FLT.	ASY.	UNT.				FLT.	ASY.	UNT.		
1	1	2	-	69483	Strut-Fwd. L/R	33	1	2	-	AN26-26A	Bolt
2	1	2	-	69484	Strut-Diag. L/R	34	1	2	-	AN364-624	Nut
3	-	1	-	69485-1	Strut-Aft L.H.	35	1	2	-	69479	Fitting-Aft Float
4	-	1	-	69485-2	Strut-Aft R.H.	36	-	1	-	26428	Cover Plate, R.H.
5	1	2	-	89-C-703	Spreader Assy.Fwd/Aft	37	-	1	-	26427	Cover Plate, L.H.
5-1	-	-	1	89-C-703-1	Tube-Spreader	38	1	2	-	26429	Gasket
5-2	-	-	2	89-C-704	Fitting-Spreader End	39	-	1	-	40119	Spdr. Faring Instl.
5-3	-	-	10	AN6DD24A	Bolt	39-1	-	-	4	40120	Faring Assy.
5-4	-	-	22	AN960PD616	Washer	39-2	-	-	4	40121	Faring Assy.
5-5	-	-	10	AN3640624	Nut	39-3	-	-	4	40122	Splice Plate Assy.
5-6	-	-	2	88-C-705	Plate-Spreader End	39-4	-	-	72	AN526-C-832R6	Screw
5-7	-	-	4	88-C-706	Eyebolt	39-5	-	-	56	C7000-832-C	Speednut
5-8	-	-	14	AN365-624	Nut						
5-9	-	-	4	AN6-21A	Bolt						
5-10	-	-	4	88-C-710	Spacer						
5-11	-	-	2	AN6-24A	Bolt						
5-12	-	-	2	AN6-26A	Bolt						
5-13	-	-	2	88-C-708-3.8-42	Wirepull-Spreader						
6	2	4	-	88-C-708-2-26	Wirepull L/R						
7	1	2	-	3393-8700	Tierod Assy.-Spreader						
8	1	2	-	3392-4925	Tierod Assy.-Fwd.						
9	1	2	-	3392-5150	Tierod Assy.-Aft						
10	-	1	-	26444	Ftg.-Fwd. Fus.-R.H.						
11	-	1	-	26443	Ftg.-Fwd. Fus.-L.H.						
12	1	2	-	69482	Lug, Fwd. Strut						
13	1	2	-	AN6-13A	Bolt						
14	6	12	-	AN960PD616	Washer						
15	3	6	-	AN365-624	Nut						
16	2	4	-	AN4-6A	Bolt						
17	4	8	-	AN960PD416	Washer						
18	2	4	-	AN365-428	Nut						
19	5	10	-	AN25-26A	Bolt						
20	11	22	-	AN960PD516	Washer						
21	5	10	-	AN364-524	Nut						
22	2	4	-	AN3-6A	Bolt						
23	6	12	-	AN3-5A	Bolt						
24	8	16	-	AN960PD10	Washer						
25	8	16	-	AN365-1032	Nut						
26	-	1	-	32432	Ftg.-Aft Fus.- R.H.						
27	-	1	-	32433	Ftg.-Aft Fus.- L.H.						
28	1	2	-	3100-20	Eyebolt						
29	1	2	-	AN365-524	Nut						
30	1	2	-	69478	Ftg.-Fwd. Float						
31	1	2	-	AN6-31A	Bolt						
32	1	2	-	AN6-34A	Bolt						

8A-3

REL. May, 1981

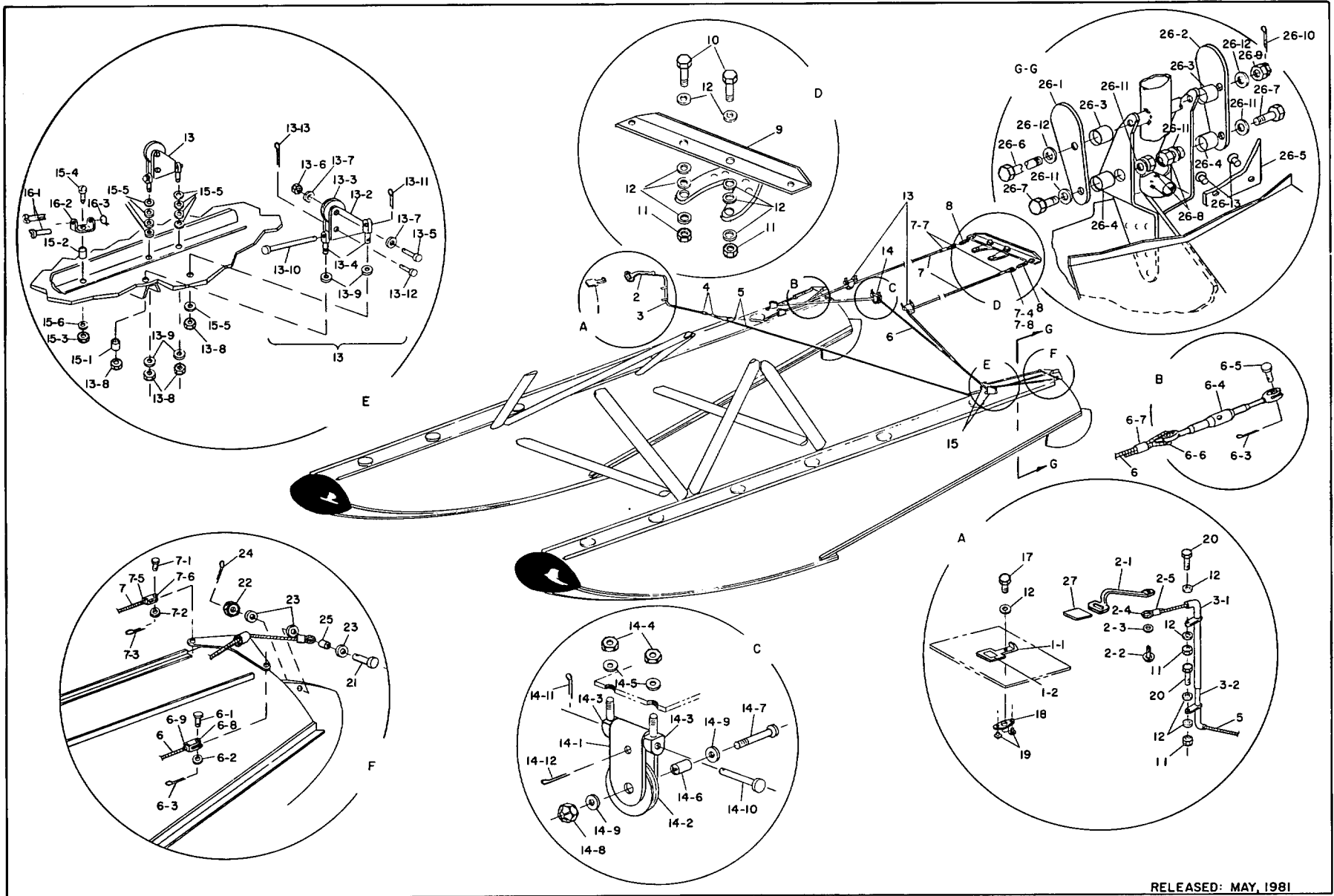


FIGURE 2 EDO WATER RUDDER CONTROLS FOR  
EDO 089/089A2000 FLOATS ON CESSNA 172 AIRPLANE MOD. 089-14

RELEASED: MAY, 1981

TABLE 2. EDO WATER RUDDER CONTROLS INSTALLATION MODEL 089-14 FOR CESSNA 172 ON 089/089A2000 FLOATS

KEY TO FIGURE 2.

REF NO.	QTY. PER			PART NUMBER	PART NAME	REF NO.	QTY. PER			PART NUMBER	PART NAME
	FLT.	ASY.	UNT.				FLT.	ASY.	UNT.		
1	-	1	-	47954	Hook Assy.-Retract.Hndl.	13-6	-	-	1	AN365-1032	Locknut
1-1	-	-	1	47955	Hook	13-7	-	-	2	AN960D10	Washer
1-2	-	-	1	36289	Placard	13-8	-	-	2	AN365-428	Locknut
2	-	1	-	47945	Forward Cable Assy.	13-9	-	-	2	AN960PD416	Washer
2-1	-	-	1	0367	Handle	13-10	-	-	1	AN394-73	Pin-Flathead
2-2	-	-	1	AN525-10-8	Screw	13-11	-	-	1	AN381-2-8	Cotter Pin
2-3	-	-	1	AN960PD10	Washer	13-12	-	-	1	AN393-15	Pin-Flathead
2-4	-	-	1	3355-120.0-3355	Cable	13-13	-	-	1	AN381-2-6	Cotter Pin
2-5	-	-	1	28-2-G	Nicopress Sleeve	14	-	1	-	2256	Pulley Bracket Assy.
3	-	1	-	2831	Fairlead Tube Assy.	14-1	-	-	1	2257	Bracket
3-1	-	-	1	2832	Tube Assy.-Upper	14-2	-	-	1	0915-1	Pulley
3-2	-	-	1	2833	Tube Assy.-Lower	14-3	-	-	2	00-W-850	Eyebolt
4	-	2	-	28-2-G	Nicopress Sleeve	14-4	-	-	2	AN365-428	Locknut
5	1	2	-	3340-216.0-3355	Cable Assy.-W/R Retract	14-5	-	-	2	AN960PD416	Washer
5-1	-	-	1	28-2-G	Nicopress Sleeve	14-6	-	-	1	0210	Bushing
6	-	1	-	3343-192.0-3353	Cable Assy.-Interfloat	14-7	-	-	1	AN3-7A	Bolt
6-1	-	-	1	AN393-9	Pin-Flathead	14-8	-	-	1	AN365-1032	Locknut
6-2	-	-	1	AN960-10L	Washer	14-9	-	-	2	AN960D10	Washer
6-3	-	-	2	AN381-2-6	Cotter Pin	14-10	-	-	1	AN394-41	Pin-Flathead
6-4	-	-	1	AN130-16S	Turnbuckle	14-11	-	-	1	AN381-2-8	Cotter Pin
6-5	-	-	1	AN393-11	Pin-Flathead	14-12	-	-	1	AN381-3-12	Cotter Pin
6-6	-	-	1	AN100C4	Thimble-Wire Cable	15	1	2	-	89-WS-505	Instl., Deck Hardware
6-7	-	-	1	28-2-G	Nicopress Sleeve	(See Item 13)			2	60-W-911	Pulley Bkt. Assy.
6-8	-	-	1	RA2500-3	Terminal	15-1	-	-	1	92-WS-506-1	Spacer
6-9	-	-	1	AN664C3	Terminal, Ball End	15-2	-	-	1	2712	Spacer
7	1	2	-	3343-192.0-3351	Cable Assy.-W/R Control	15-3	-	-	1	AN365-1032	Nut
7-1	-	-	1	AN393-9	Pin-Flathead	15-4	-	-	1	AN526-1032-18	Screw
7-2	-	-	1	AN960-10L	Washer	15-5	-	-	9	AN960PD416	Washer
7-3	-	-	1	AN381-2-6	Cotter Pin	15-6	-	-	1	AN960PD10	Washer
7-4	-	-	1	AN140-16S	Turnbuckle	16 *	1	2	-	68-W-654	Fairlead Assy.
7-5	-	-	1	AN664C3	Terminal, Ball End	16-1	-	-	2	0494	Fairlead
7-6	-	-	1	RA2500-3	Terminal	16-2	-	-	1	68-W-654-1	Bracket
7-7	-	-	1	28-2-G	Nicopress Sleeve	16-3	-	-	A/R	AN955C41-2	Lockwire
7-8	-	-	1	AN100C4	Thimble-Wire Cable	17	-	1	-	AN525-832-12	Screw
8	-	2	-	D-376	Spring	18	-	1	-	AN362-F-832	Nutplate
9	-	1	-	32682	Extension,Rudder Horn	19	-	2	-	AN470AD3-4	Rivet
10	-	2	-	AN3-7A	Bolt	20	-	2	-	AN526-1032-8	Screw
11	-	2	-	AN365-1032	Locknut	21	-	1	-	AN4-7	Bolt
12	-	12	-	AN960PD10	Washer	22	-	1	-	AN310-4	Nut
13	3	6	-	60-W-911	Pulley Bracket Assy.	23	-	3	-	AN960PD416	Washer
13-1	-	-	1	60-W-911-1	Pulley Bkt. Sub-Assy.	24	-	1	-	AN381-2-12	Cotter Pin
13-2	-	-	1	0209	Bracket	25	-	1	-	88-W-070-1	Spacer
13-3	-	-	1	0915	Pulley	26	-	1	-	2891	Instl.Assy.W/R Ctr.Lck.
13-4	-	-	2	00-W-850	Eyebolt	26-1	-	-	1	2893	Cam - R.H.
13-5	-	-	1	AN3-7A	Bolt	26-2	-	-	1	2892	Cam - L.H.

8A-5

TABLE 2. EDO WATER RUDDER CONTROLS INSTALLATION MODEL 089-14 FOR CESSNA 172 ON 089/089A2000 FLOATS

KEY TO FIGURE 2.

8A-6

REF NO.	QTY. PER			PART NUMBER	PART NAME	REF NO.	QTY. PER			PART NUMBER	PART NAME
	FLT.	ASY.	UNT.				FLT.	ASY.	UNT.		
26-3	-	-	2	2894	Spacer						
26-4	-	-	2	2895	Spacer						
26-5	-	-	2	2896	Rubbing Strip						
26-6	-	-	1	AN5-51	Bolt						
26-7	-	-	2	AN3-16A	Bolt						
26-8	-	-	2	AN365-1032	Locknut						
26-9	-	-	1	AN310-5	Nut						
26-10	-	-	1	AN381-2-12	Cotter Pin						
26-11	-	-	4	AN960PD10	Washer						
26-12	-	-	2	AN960PD516	Washer						
26-13	-	-	8	AN456AD5-7	Rivet						
27	-	1	-	5031	Placard						

\* Item 16 is included with (part of) item 15, Instl. Deck Hdwe. It is shown here separately for individual ordering purposes only.