

FIGURE 1. EDO MODEL 439-2705 FLOAT

Revised 10/1/58

TABLE 1. EDO MODEL 439-2705 FLOAT SPARE PARTS LIST  
KEY TO FIGURE 1

REF. NO.	PART NUMBER	PART NAME	REF. NO.	PART NUMBER	PART NAME
1	22812	Bulkhead Assembly-Sta. 3	31	NAS147-113	Bolt (4 Req.)
2	22781	Bulkhead Assembly-Sta. 4	32	AN515-516R44	Screw (2 Req.)
3	22814	Bulkhead Assembly-Sta. 5	33	AN935-516	Lockwasher (2 Req.)
4	16420	Bulkhead Assembly-Sta. 7	34	AN960D516	Washer (2 Req.)
5	16425	Bulkhead Assembly-Sta. 8	35	AN960-716	Washer
6	16430 *	Transom Assembly-Sta. 9	36	AN960D716	Washer (16 Req.)
7	23101	Bow Well Assembly	37	AN365-720	Nut (5 Req.)
8	20200	Main Well Assembly	38	16498	Deck Block Inner (2 Req.)
9	20184	Keelson Fwd.	39	16495	Spreader Block Upper (2 Req.)
10	20185	Sister Keelson Fwd. LH	40	16496	Spreader Block Lower (2 Req.)
11	20186	Sister Keelson Fwd. RH	41	AN960D616	Washer (14 Req.)
12	20187	Keelson Aft	42	AN365-624	Nut (8 Req.)
13	20360	Deck Sub-Assy.-Sta. 1 to 3	43	AN960D516	Washer (32 Req.)
14	20370	Tunnel Assy. Fwd. Deck	44	AN365-524	Nut (16 Req.)
15	20233	Deck Beam Fwd.	45	AN5-10A	Bolt (16 Req.)
16	23201	Tunnel Assy.-Aft Deck	46	AN7-37A	Bolt (4 Req.)
17	16467	Deck Beam Aft	47	AN6-21A	Bolt (2 Req.)
18	20372	Deck Rail Fwd. (2 Req.)	48	AN960-616	Washer (2 Req.)
19	23202	Deck Rail Aft (2 Req.)	49	AN526-1032R9	Screw (20 Req.)
20	16504	Strap-Ext. Splice (2 Req.)	50	AN960D10	Washer (39 Req.)
21	16505	Strap-Int. Splice (2 Req.)	51	AN6-11A	Bolt (6 Req.)
22	16449	Deck Strap (2 Req.)	52	16560	Clamp-Outer Spreader (4 Req.)
23	16497	Deck Block Outer (2 Req.)	53	16565	Tapped Strip (4 Req.)
24	23112	Bounding Angle LH	54	16563	Clamp-Inner Spreader (4 Req.)
	23113	Bounding Angle RH	55	16549	Wirepull-Spreader (2 Req.)
25	60-W-911	Pulley Bracket Assy. (2 Req.)	56	20182	Bottom Skin Fwd. RH
26	92-WS-506-1	Spacer (2 Req.)	57	20181	Bottom Skin Fwd. LH
27	68-W-654	Fairlead	58	20183	Bottom Skin Aft
28	16548	Bushing (4 Req.)	59	20188	Keel-Rubbing Strip
29	S-1452-070	Barrel Nut (Esna)(3 Req.)	60	16750	Clamp RH
30	AN525-10-12	Screw	61	16749	Clamp LH

\* THIS PART IS NOT SHOWN IN FIGURE 1. PART NO. 16430 IS SHOWN IN FIGURE 1.

TABLE 1. EDO MODEL 439-2705 FLOAT SPARE PARTS LIST  
KEY TO FIGURE 1 (CON'T)

REF. NO.	PART NUMBER	PART NAME	REF. NO.	PART NUMBER	PART NAME
62	23204	Cleat	86	AN4-15A	Bolt
63	AN509-416R13	Screw (4 Req.)	87	AN320-7	Nut
64	AN365-428	Nut (4 Req.)	88	AN381-3-14	Cotter Pin
65	29071	Bottom Skin-Intermediate	89	1575	Cover Assembly (10 Req.)
66	20373	Chine Fwd. LH	90	1582	Gasket (10 Req.)
	20374	Chine Fwd. RH	91	31425	Cover
67	16348	Chine Aft RH and LH	92	AN526-832R8	Screw
68	16768	Angle-Chine Splice LH	93	AN960PD8	Washer
	16769	Angle-Chine Splice RH	94	23194	Cover
69	AN365-1032	Nut	95	20397	Cover
70	2712	Spacer	96	31417	Cover
71	AN960PD416	Washer (18 Req.)	97	AN526C1032-10	Screw (4 Req.)
72	AN960PD8L	Washer (21 Req.)	98	31418	Doubler
73	35627	Water Rudder Installation L/H	99	20351	Bow Cap Assembly
	35628	Water Rudder Installation R/H	100	31413	Back up Angle
74	26641	Post Assembly - L/H	101	20341	Bumper-Pivot Arm
	26642	Post Assembly - R/H	102	20377	Bow Plate
75	16580	Blade Assembly	103	31420	Retainer RH
76	16354	Deck Bracket	104	31419	Retainer LH
77	38-075	Bracket-Transom	105	31428	Retainer RH
78	AN396-71	Pin	106	31427	Retainer LH
79	AN960-616	Washer	107	31426	Doubler
80	AN381-3-12	Cotter Pin (2 Req.)	108	AN3-5A	Bolt (14 Req.)
81	AN396-45	Pin	109	X-20871	Cover
82	38-093	Spring (2 Req.)	110	X-20873	Gasket
83	AN381-2-6	Cotter Pin (2 Req.)	111	AN526-832-R10	Screw (21 Req.)
84	AN393-13	Pin (2 Req.)	112	X-19052	Gasket
85	AN7-34	Bolt	113	X-19053	Cover

Revised 10/1/68

DAVICAD 10/1/68  
 40

TABLE 1. EDO MODEL 439-2705 FLOAT SPARE PARTS LIST  
 KEY TO FIGURE 1. (CON'T)

REF. NO.	PART NUMBER	PART NAME	REF. NO.	PART NUMBER	PART NAME
114	23114	Doubler Angle LH	120	20220	Frame Assembly-Sta. S
	23115	Doubler Angle RH	121	16481 (Qty.3)	Rubber Water Stop
115	20311	Canted Bulkhead L/H		16482 (Qty.3)	Kit for Bulkhead Stations
	20310	Canted Bulkhead R/H		16483 (Qty.1)	3, 4, 5 or 5A as Required
116	20265	Bulkhead Assembly Sta.6		16484 (Qty.2)	
117	27380 (Ref.)	Bow Gear Assembly (See Figure 2, Page 6)	122	20291 (Qty.2)	Rubber Water Stop Kit for Bulkhead Sta. 6
118	20148 (Ref.)	Main Gear Assembly L/H (See Figure 2, Page 6)	123	16481 (Qty.1)	Rubber Water Stop Kit for Bulkhead Stations
	20149	Main Gear Assembly R/H (See Figure 2, Page 6)		16482 (Qty.1)	7 and 8
119	20210	Bulkhead Assembly-Sta. 5A		16483 (Qty.1)	

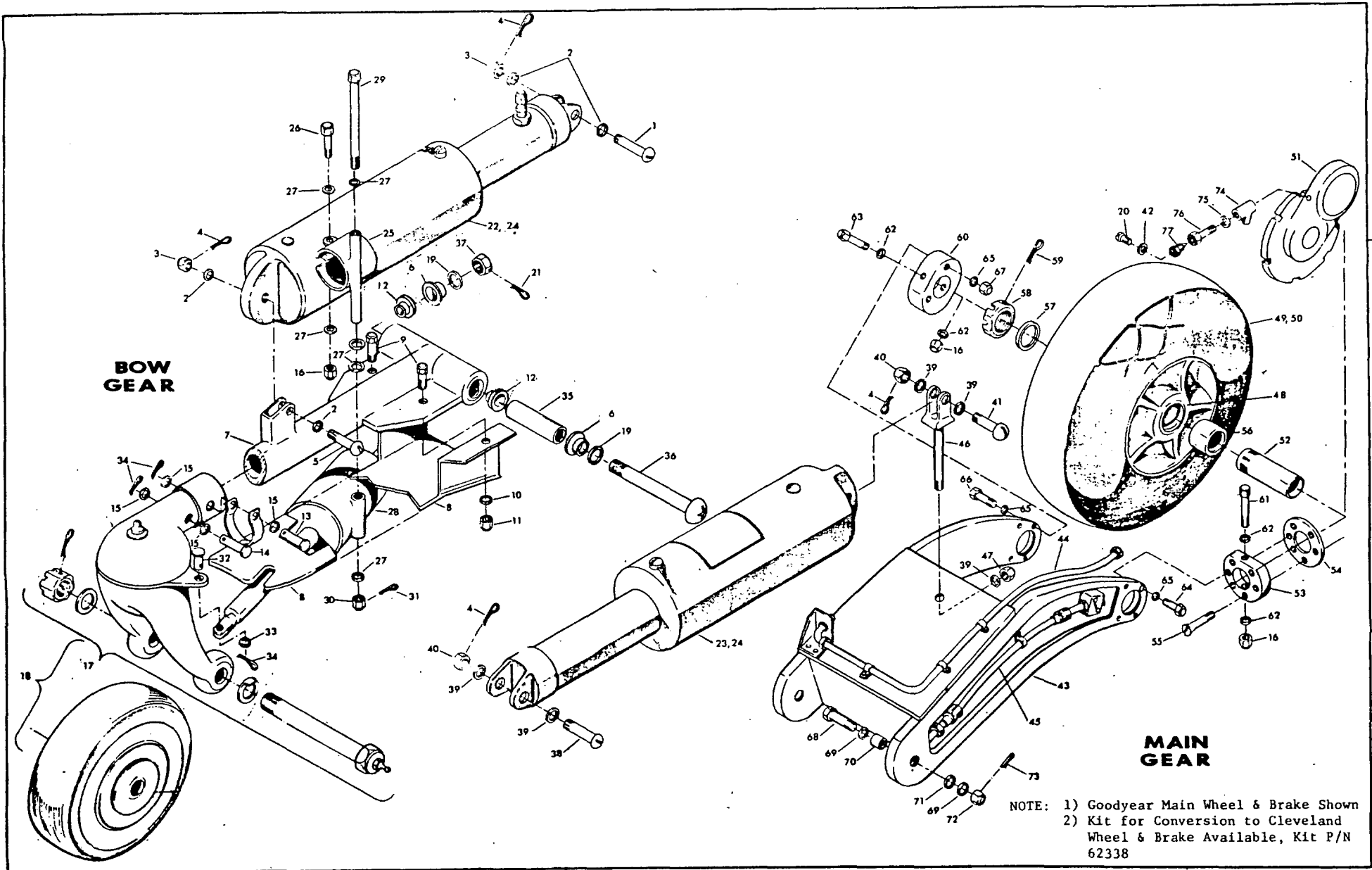


FIGURE 2. EDO BOW AND MAIN LANDING GEAR

TABLE 2. EDO BOW AND MAIN LANDING GEAR  
KEY TO FIGURE 2

REF. NO.	PART NUMBER	PART NAME	REF. NO.	PART NUMBER	PART NAME	REF. NO.	PART NUMBER	PART NAME
1	AN26-27	Bolt	26	AN4-7A	Bolt	51	9531446PD353-4	Brake Assembly
2	AN960D616	Washer	27	AN960-416	Washer		9530287	Disc-Brake
3	AN320-6	Nut	28	31333	Shimmy Damper Assy.		9511269	Brake Lining
4	AN381-3-12	Cotter Pin	29	AN4-33	Bolt		9511271	Brake Lining
5	AN26-17	Bolt	30	AN310-4	Nut	52	20172	Axle
6	23152	Bushing	31	AN381-2-12	Cotter Pin	53	20174	Bearing Block
7	20345	Pivot Arm	32	AN394-15	Flat Head Pin	54	20175	Tapped Ring
8	27387	Cover Assembly	33	AN960-416L	Washer	55	AN509-516R25	Screw
9	AN3-4A	Bolt	34	AN381-2-8	Cotter Pin	56	20177	Spacer-Long
10	AN960D10	Washer	35	NAS73-8-212	Bushing	57	20176	Spacer-Short
11	AN365-1032	Nut	36	AN28-60	Bolt	58	AN7502-24	Nut
12	NAS77-11-50	Bushing	37	AN320-8	Nut	59	AN381-4-32	Cotter Pin
13	AN394-65	Flat Head Pin	38	AN27-27	Bolt	60	20173	Bearing Block
14	AN394-57	Flat Head Pin	39	AN960D716	Washer	61	AN4-31A	Bolt
15	AN960D416	Washer	40	AN320-7	Nut	62	AN960D416L	Washer
16	AN365-428	Nut	41	AN27-25	Bolt	63	AN4-24A	Bolt
17	3400D-3	10" Fork & Bracket Assy. (Fig. 2a)	42	AN935-10	Washer	64	AN5H24A	Bolt
18	3400D	10" Bow Wheel Assy. (Fig. 2a)	43	20150	Yoke Assembly	65	AN960D516L	Washer
19	AN960D816	Washer	44	1648-272	Tube Assy-Hydraulic	66	AN5-21A	Bolt
20	AN520-10-6	Screw	45	1648-153	Tube Assy-Lubricating	67	AN365-524	Nut
21	AN381-3-18	Cotter Pin	46	20166	Eyebolt	68	AN5-24	Bolt
22	54715*	Shock Strut-Bow (See Ref. #24)	47	AN365-720	Nut	69	AN960D516	Washer
23	51961**	Shock Strut-Main (See Ref. #24)	48	9531445PD353-4	Wheel Assembly	70	NAS73-5-105	Bushing
24	62907	Seal Kit		13830 SPL	Bearing Cup	71	203AC-5/16	Lock-O-Seal
25	28904	Clamp Assembly		13889 SPL	Bearing Cone	72	AN310-5	Nut
				51 x 907	Seal (Alt. 63 x 907)	73	AN381-2-14	Cotter Pin
			49	6.00-6	Tire-Six Ply Nylon type III	74	AN778-4D	Elbow
			50	6.00-6	Tube	75	AN901-4A	Gasket
						76	22909	Bolt
						77	AN6204-1	Valve

\*PART NUMBER 54715 REPLACES NUMBER 400-102-2

\*\*PART NUMBER 51961 REPLACES NUMBER 400-102-1

Date 10/1/68

REF. NO.	PART NUMBER	PART NAME	NO. REQUIRED	
			3400D	3400D-3
1	800859	Bracket Assy.	1	1
2	08118	Cone Bearing (Timken)	1	1
3	3407	Spacer	1	1
4	3411D	Dust Cap Set	1	1
5	3408	Washer	1	1
6	3408-1	Washer	A/R	A/R
7	3219-2	Pawl	1	1
8	3416-1	Arm and Cage Assy.	1	1
9	3408-2	Washer	1 or 2	1 or 2
10	3423	Fork Assy.	1	1
11	AN380-3-3	Cotter Pin	2	2
12	AN960-816	Washer	2	2
13	2504-1	Spacer	1	1
14	1863	Retainer - Grease	1	1
15	A4050	Cone Bearing (Timken)	1	1
16	3257	Pin	1	1
17	3258-3	Spacer	A/R	A/R
18	3258	Spacer	1	1
19	3222	Spring	1	1
20	3258-1	Spacer	A/R	A/R
21	AN310-8	Nut-Castle	2	2
22	3236C-2	Axle Assy.	1	1
23	3225	Washer-Lock	1	1
24	3245	10" Tire & Wheel Assy.	1	-
25	3244-1	Wheel Assembly	1	-
26	10x3.50-4	Tire - 4 Ply	1	-
27	10x3.50-4	Tube	1	-

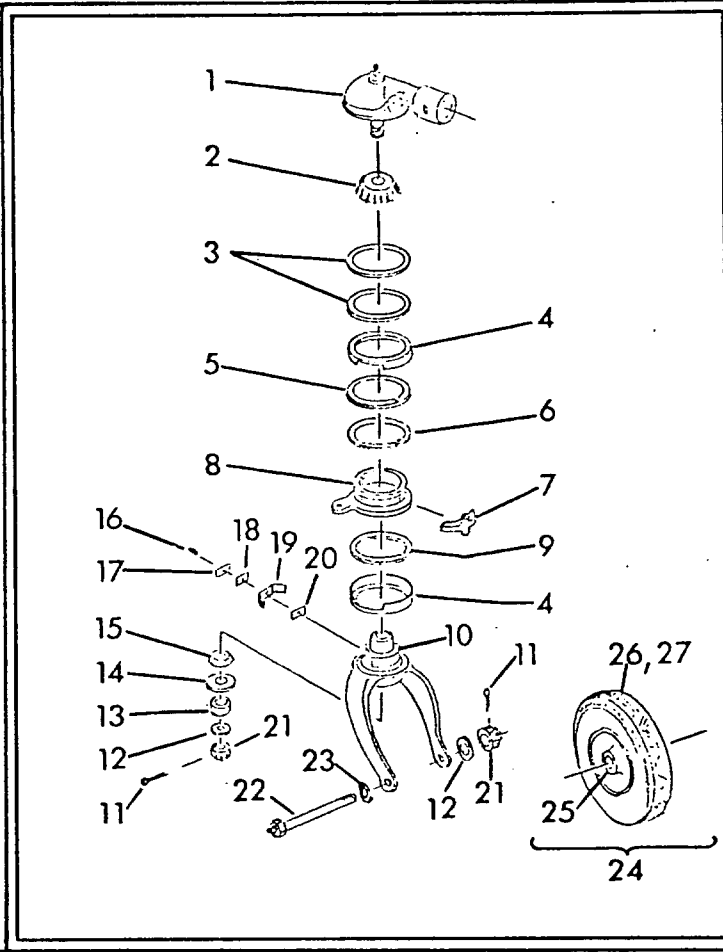


FIGURE 2a. EDO 3400D SERIES BOW WHEEL

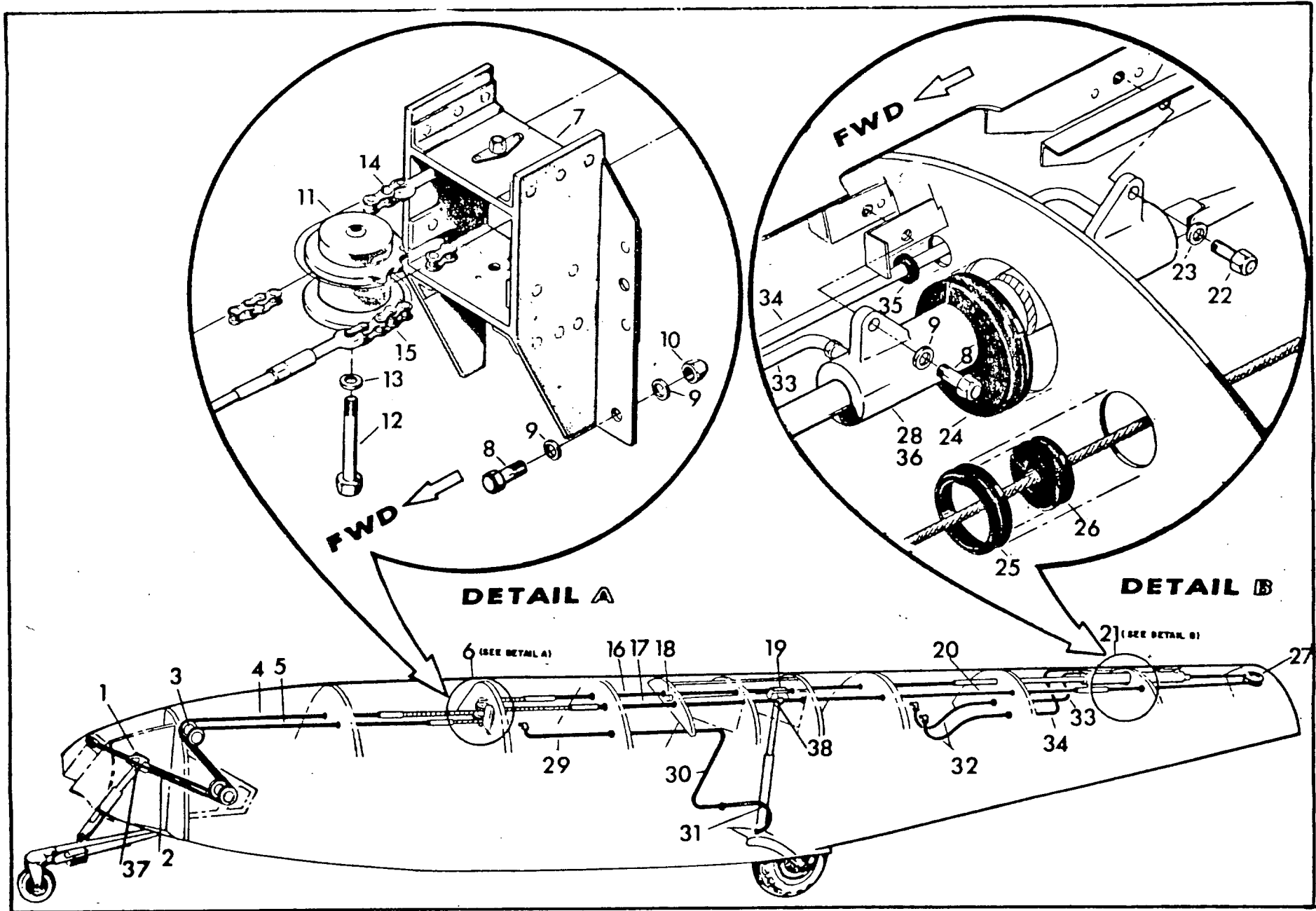


FIGURE 3 EDO LANDING GEAR SYSTEM MODEL 439



TABLE 3. EDO LANDING GEAR SYSTEM MODEL 439  
KEY TO FIGURE 3

REF. NO.	PART NUMBER	PART NAME	REF. NO.	PART NUMBER	PART NAME
1	23151	Fitting Assy.-Bow Slide	21	31403	Actuating Cylinder Installation Complete
2	20367	Tube Assy.-Bow Slide	22	AN3-6A	Bolt
3	AN219-4	Pulley (5 Req.)	23	AN960PD10	Washer
4	31443	Cable Assy.-Bow RH	24	31447	Padding
5	31444	Cable Assy.-Bow LH	25	AN931-10-20	Grommet
6	31430	Sprocket and Bracket Complete	26	AN931C3-S10	Grommet
7	31430	Bracket Only	27	AN220-2	Pulley
8	AN4-6A	Bolt (5 Req.)	28	X-20640	Actuating Cylinder
9	AN960PD416	Washer (9 Req.)	29	1648-170	Brake Line-Hydraulic
10	AN365428	Nut (4 Req.)	30	1648-360	Brake Line-Hydraulic
11	31406	Sprocket Only	31	AN6271-4-8	Hose Assy.-Hydraulic (MS 28741-4-0180)
12	AN5-25A	Bolt	32	1648-252	Tube Assy.-Hydraulic (2 Req.)
13	AN960PD516	Washer	33	1648-160	Tube Assy.-Hydraulic
14	31446	Chain Assy.-Main	34	1648-370	Tube Assy.-Hydraulic
15	31445	Chain Assy.-Bow	35	AN931-4-S12	Grommet
16	31441	Cable Assy.-Main RH	36	62908	Replacement Seal Kit
17	31442	Cable Assy.-Main LH	37	NAS77-6-23	Bushing
18	20154	Tube-Main Slide	38	NAS77-7-23	Bushing
19	23150	Fitting Assy.-Main Slide			
20	31440	Cable Assy.-Main-Aft			