

Figure 1 - Edo Model 597-2790 Float

TABLE 1. EDO MODEL 597-2790 FLOAT SPARE PARTS LIST
KEY TO FIGURE 1

REF. NO.	PART NUMBER	PART NAME	REF. No.	PART NUMBER	PART NAME
Fig. 1	42200 L 42201 R	Single Float Assy. Complete with the following:	34	AN960PD10	Washer
			35	42205	Deck Subassy, Sta 1 to 3
			36	42205-1	Deck Skin Sta 1 to 3
1	22812	Bulkhead Assy, Sta 3	37	16337	Side Skin Sta 1 to 3
2	22781	Bulkhead Assy, Sta 4	38	42204	Tunnel Assy, Fwd Deck
3	22814	Bulkhead Assy, Sta 5	39	20233	Deck Beam, Fwd
4	20265	Bulkhead Assy, Sta 6	40	42108	Tunnel Assy, Aft Deck
5	53047	Bulkhead Assy, Sta 7	41	53049	Deck Beam, Aft
6	53048	Bulkhead Assy, Sta 8	42	20372	Deck Rail, Fwd
7	42039	Frame Assy, Sta 9	43	42108-2	Deck Rail, Aft
8	42044	Transom Sta 10	44	16504	Strap, External Splice
9	AN220-2	Pulley	45	16505	Strap, Internal Splice
10	AN5-12A	Bolt	46	36686	Deck Block, Outer
11	AN960PD516	Washer	47	36687	Deck Block, Inner
12	42172	Bow Well Assy	48	16495	Spreader Block, Upper
13	52608	Bow Bumper Assy	49	16496	Spreader Block, Lower
14	MS35308-60	Bolt	50	AN7-72A	Bolt
15	AN960PD416	Washer	51	AN960PD716	Washer
16	20377	Bow Plate Assy	52	AN365-720	Nut
17	23114	Doubler Angle L/H	53	AN507-518R42	Screw
	23115	Doubler Angle R/H	54	16560	Clamp, Outer Spreader
18	23112	Bounding Angle L/H	55	16565	Tapped Strip
	23113	Bounding Angle R/H	56	16563	Clamp, Inner Spreader
19	20200	Main Well Assy	57	AN7-37A	Bolt
20	X-19053	Cover	58	AN526-1032R9	Screw
21	X-19052	Gasket	59	AN5-10A	Bolt
22	AN3-5A	Bolt	60	AN365-524	Nut
23	20210	Bulkhead Assy, Sta 5A	61	AN6-11A	Bolt
24	20184	Keelson, Fwd	62	AN960PD616	Washer
25	20185	Sister Keelson, Fwd L/H	63	AN365-624	Nut
26	20186	Sister Keelson, Fwd R/H	64	16449	Deck Strap
27	42202-2	Keelson, Aft	65	20182- (16742)	Bottom Skin, Fwd R/H
28	88M-096	Cleat	66	20181 - (16741)	Bottom Skin, Fwd L/H
29	AN509-416R13	Screw	67	42202-1	Bottom Skin, Aft
30	AN366F428	Nut Plate	68	20188	Keel, Rubbing Strip
31	AN365-428	Nut	69	16750	Clamp, R/H
32	42186	Cover	70	16749	Clamp, L/H
33	AN526-1032-9	Screw	71	29071	Bottom Skin, Intermediate

Revised 10/1/68

AK

TABLE 1. EDO MODEL 597-2790 FLOAT SPARE PARTS LIST
KEY TO FIGURE 1 (cont.)

REF. NO.	PART NUMBER	PART NAME	REF. NO.	PART NUMBER	PART NAME
72	20373	Chine, Fwd, L/H	105	42145	Frame Assy, Sta.1A
	20374	Chine, Fwd, R/H		F3PX	Pump
73	42108-3	Chine, Aft. L/H and R/H	106	4182	Pump, Socket
74	16768	Angle, Chine Splice L/H	107	3427-27	Hose (Oversize)
	16769	Angle, Chine Splice R/H	108	3521	Bracke.
75	42102	Water Rudder Installation L/H	109	MS20602D4P20	Rivet, Explosive
	42103	Water Rudder Installation R/H	110	MS20602D4P14	Rivet, Explosive (Sta. 5A only)
76	AN381-3-18	Pin, Cotter	111	42185	Bow Gear Instl. (See Fig #2)
77	AN395-47	Pin, Flat Head	112	42646	Main Gear Assy, L/H (See Fig #2)
78	AN381-3-8	Pin, Cotter		42647	Main Gear Assy, R/H
79	AN395-71	Pin, Flat Head	113	36894	Gusset Assy. - Transom
80	42097	Blade Assy	114	42202-3	Backing Strip, Lower Transom
81	AN381-3-14	Pin, Cotter	115	42108-9	Backing Strip Upper Transom
82	AN7-34	Bolt	116	40679	Stiffener - Aft Cleat
83	AN320-7	Nut	117	AN960PD716	Washer
84	AN381-2-6	Pin, Cotter	118	62115	Bushing
85	AN393-13	Pin, Flat Head	119	16510	Stiffener - Oversize
86	36936	Spring	120	42108-1	Deck Skin Sta. 6 and Aft
87	42086*	Post Assy, Tiller R/H	121	AN526C832-6	Screw
	49135**	Post Assy, Tiller R/H	122	AN960PD8L	Washer
	42087*	Post Assy, Tiller L/H	123	42108-6	Cover
	49136**	Post Assy, Tiller L/H	124	1575	Cover Hand Hole
88	AN381-2-7	Pin, Cotter	125	1582	Gasket
89	AN393-23	Pin, Flat Head	126	42205-2	Internal Intercostal LH
90	37677	Roller		42205-3	Internal Intercostal RH
91	49138	Clip	127	16444	Side Stiffener (Oversize)
92	44996	Spacer	128	16523	Deck Stiffener
93	AN3-13A	Bolt	129	25059	Bracket Assy - Cleat
94	AN960-10L	Washer	130	42146	Frame Assy. Sta. 2
95	MS20365-1032	Nut	131	42147	Deck Beam Sta. 2B
96	AN381-2-16	Pin, Cotter	132	42204-1	Deck Skin Sta. 3 and Aft
97	#0	Stopper, Rubber	133	20366	Stiffener
98	42089	Deck Bracket	134	20205	Beam Assy - Well Closure
99	36891	Bracket, Transom	135	20220	Frame Assy. Sta. 5
100	31417	Cover	136	20291 (Qty 2)	Rubber Waterstop Kit
101	31418	Doubler		20292 (Qty 2)	for Bulkhead Sta. 6
102	31420	Retainer R/H	137	16481 (Qty 3)	Rubber Waterstop Kit
103	31419	Retainer L/H		16482 (Qty 3)	for Bulkhead Stations
104	AN526C1032-8	Screw		16483 (Qty 1)	3, 4, 5 or 5A as Req'd.
				16484 (Qty 2)	

Revised 1/1/72

* Used on Float Serial Numbers 1 thru 20

** Used on Float Serial Numbers 21 and up

TABLE 1. EDO MODEL 597-2790 FLOAT SPARE PARTS LIST
KEY TO FIGURE 1 (cont.)

REF. NO.	PART NUMBER	PART NAME	REF. NO.	PART NUMBER	PART NAME
138	16481 (Qty 1)	Rubber Waterstop Kit	148	AN525-416R24	Screw
	16482 (Qty 1)	for Bulkhead Stations	149	AN960D416	Washer
	16483 (Qty 1)	7 or 8 as req'd.	150	AN525-416R22	Screw
139	37254	Fairing Spreader Outboard	151	0209	Bracket
	37255	Fairing Assy. - Spreader INBD L/H	152	0915-1	Pulley
	37256	Fairing Assy. - Spreader INBD R/H	153	0210	Bushing
140	AN525-832R6	Screw - Washer Head	154	AN3-7	Bolt
141	C-7000-832-373	Speednut	155	AN960D10	Washer
142	3661	Ball - Plug	156	AN310-3	Nut
143	68-W-654	Fairlead	157	AN381-2-8	Cotterpin
144	AN525-10-7	Screw	158	AN393-15	Pin, Flat Head
145	AN365-1032	Nut	159	AN394-73	Pin, Flat Head
146	16589	Pulley Bracket	160	00-W-850	Eyebolt
147	16588	Fairlead	161	20231LH	Channel
			162	20232RH	Channel

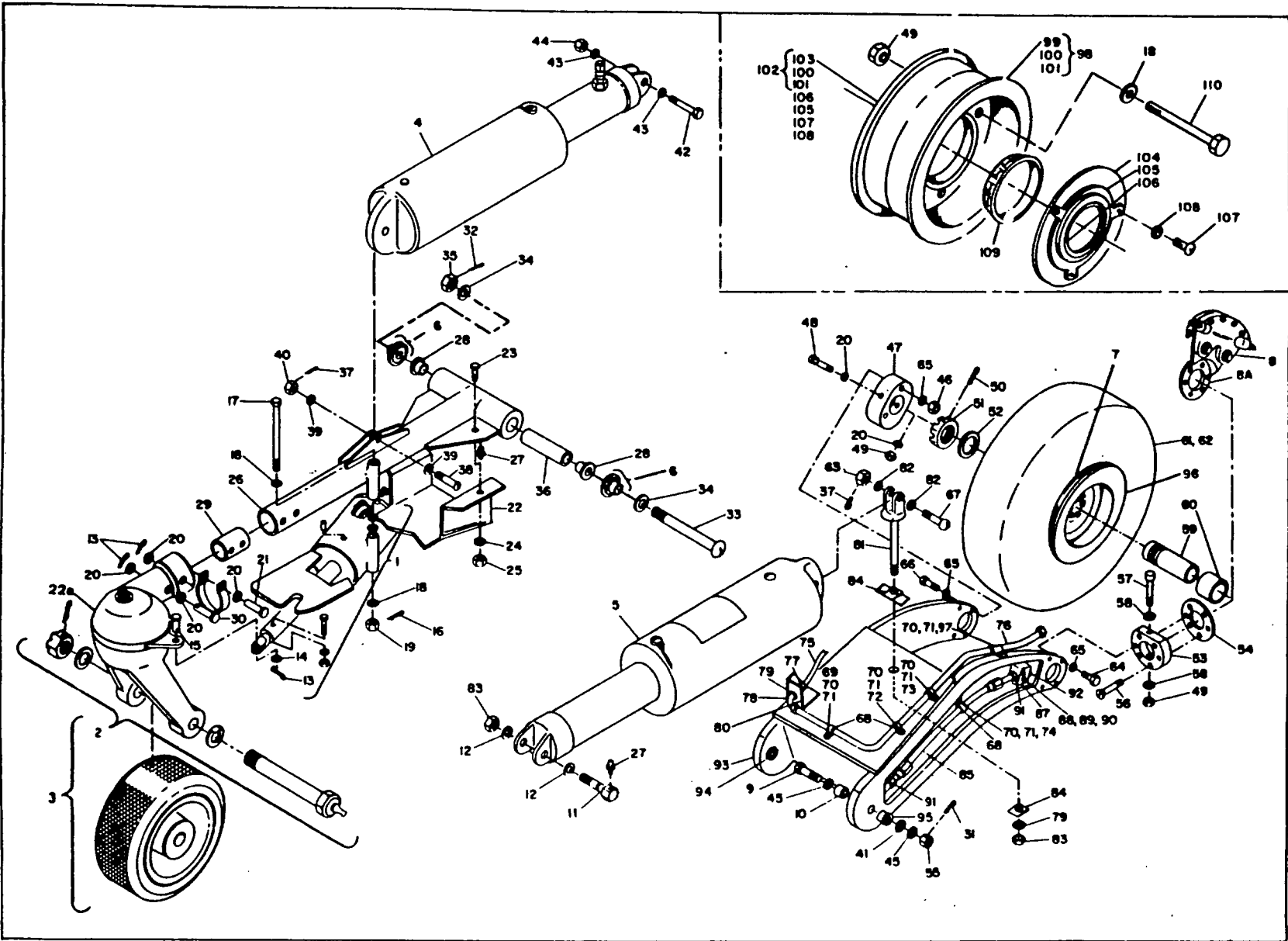


Figure 2 - Edo Bow and Main Landing Gear Model 597-2790

Revised 9/3/74

TABLE 2. EDO BOW AND MAIN LANDING GEAR MODEL 597-2790
KEY TO FIGURE 2

REF. NO.	PART NUMBER	PART NAME	REF. NO.	PART NUMBER	PART NAME
1	31333	Shimmy Damper Assy.	29	25050	Plug
2	34000-3	10" Fork & Bracket Assy. (Fig. 2a)	30	AN394-57	Pin, Flat Head
3	34000	10" Bow Wheel Assy. (Fig. 2a)	31	AN381-2-14	Pin, Cotter
4	51960	Shock Strut-Bow (Fig. 2b)	32	AN381-3-18	Pin, Cotter
5	51961	Shock Strut-Main (Fig. 2b)	33	AN28-60	Bolt
6	NAS77-8-21	Bushing	34	AN960PD816	Washer
7	5082	Washer	35	AN320-8	Nut
	40-74	Wheel Assembly	36	NAS73-8-212	Bushing
	13830	Bearing, Cup (2 Req.)	37	AN381-3-12	Pin, Cotter
	13889	Bearing, Cone (2 Req.)	38	AN26-17	Bolt
	153-14	Ring Gr. Seal (3 Req.)	39	AN960-616	Washer
	154-12	Felt Gr. Seal	40	AN320-6	Nut
	156-3	Plate Gr. Seal	41	203AC-5/16	Lock-O-Seal
8	30-51	Brake Assembly	42	X20767	Bolt Assembly
	73-4	Pressure Plate Assy.	43	AN960PD616	Washer
	74-2	Back Plate Assy. (2 Req.)	44	AN364-624	Nut
8A	75-27	Torque Plate Assy.	45	AN960D516	Washer
9	AN5-24	Bolt	46	AN365-524	Nut
10	NAS73-5-105	Bushing	47	20173	Bearing Block
11	42846	Bolt Assembly	48	AN4-24A	Bolt
12	AN960D716	Washer	49	AN365-428	Nut
13	AN381-2-8	Pin, Cotter	50	AN381-4-32	Pin, Cotter
14	AN960-416L	Washer	51	AN7502-24	Nut
15	AN394-15	Pin, Flat Head	52	20176	Spacer, Short
16	AN381-2-12	Pin, Cotter	53	20174	Bearing Block
17	AN4-33	Bolt	54	20175	Tapped Ring
18	AN960-416	Washer	55	AN310-5	Nut
19	AN310-4	Nut	56	AN509-516R21	Screw
20	AN960PD416	Washer	57	AN4-31A	Bolt
21	AN394-61	Pin, Flat Head	58	AN960PD416L	Washer
22	27387	Cover Assembly	59	20172	Axle
22A	800859	Bracket Assembly	60	42845	Spacer
23	AN3-4A	Bolt	61	6.00-6	Tire, 6 Ply Nylon Type III
24	AN960D10	Washer	62	6.00-6	Tube
25	AN365-1032	Nut	63	AN320-7	Nut
26	25044	Arm Assy., Bow Wheel Pivot	64	AN5H22A	Bolt
27	MS15001-1	Lubricator Fitting	65	AN960PD516L	Washer
28	NAS77-11-50	Bushing	66	AN5-21	Bolt
			67	AN27-25	Bolt
			68	MS21919G4	Clamp
			69	AN526-832-9	Screw
			70	AN960PD8	Washer
			71	AN365-832	Nut
			72	AN526-832-14	Screw
			73	AN526-832-16	Screw

Revised 9/3/74

7

TABLE 2. (CONT) EDO BOW AND MAIN LANDING GEAR MODEL 597-2790
KEY TO FIGURE 2

Revised 9/3/74

REF. NO.	PART NUMBER	PART NAME	REF. NO.	PART NUMBER	PART NAME
74	AN526-832-10	Screw			
75	AN6271-4-18	Hose Assembly			
76	1648-262	Tube Assembly			
77	AN924-4D	Nut			
78	AN833-4D	Elbow, 90°			
79	AN960PD716	Washer			
80	20278	Bracket, L/H			
	20279	Bracket, R/H			
81	20166	Eyebolt			
82	AN960-716	Washer			
83	AN365-720	Nut			
84	23693	Check			
85	1648-153	Tube Assembly			
86					
87	22903	Block			
88	AN501-10-22	Screw			
89	AN960PD10	Washer			
90	AN365-1032	Nut			
91	AN816-4D	Nipple			
92	MS15003-3	Fitting, Lube			
93	20150	Yoke Assembly			
94	NAS-77-8-45	Bushing			
95	20167	Bushing			
96	164-7	Brake Disk Assy.			
97	AN526-832-12	Screw			
98	161-29	Inner Wheel Half Assy			
99	151-25	Wheel Half, Inner			
100	145-16	Bushing			
101	13830 (CR. PL.)	Cup Bearing			
102	162-26	Outer Wheel Half Assy			
103	152-23	Wheel Half, Outer			
104	156-3	Plate Grease Seal			
105	154-12	Felt Grease Seal			
106	153-14	Ring Grease Seal			
107	8-32 x 1/2	Screw F. Hd.			
108	1208	Washer			
109	13889 (CR. PL.)	Cone Bearing (Chrome Plate)			
110	AN4-40A	Bolt			

REF. NO.	PART NUMBER	PART NAME	NO. REQUIRED	
			3400D	3400D-3
1	800859	Bracket Assy.	1	1
2	08118	Cone Bearing (Timken)	1	1
3	3407	Spacer	1	1
4	3411D	Dust Cap Set	1	1
5	3408	Washer	1	1
6	3408-1	Washer	A/R	A/R
7	3219-2	Pawl	1	1
8	3416-1	Arm and Cage Assy.	1	1
9	3408-2	Washer	1 or 2	1 or 2
10	3423	Fork Assy.	1	1
11	AN380-3-3	Cotter Pin	2	2
12	AN960-816	Washer	2	2
13	2504-1	Spacer	1	1
14	1863	Retainer - Grease	1	1
15	A4C5C	Cone Bearing (Timken)	1	1
16	3257	Pin	1	1
17	3258-3	Spacer	A/R	A/R
18	3258	Spacer	1	1
19	3222	Spring	1	1
20	3258-1	Spacer	A/R	A/R
21	AN310-8	Nut-Castle	2	2
22	3236C-2	Axle Assy.	1	1
23	3225	Washer-Lock	1	1
24	3245	10" Tire & Wheel Assy.	1	-
25	3244-1	Wheel Assembly	1	-
26	10x3.50-4	Tire - 4 Ply	1	-
27	10x3.50-4	Tube	1	-

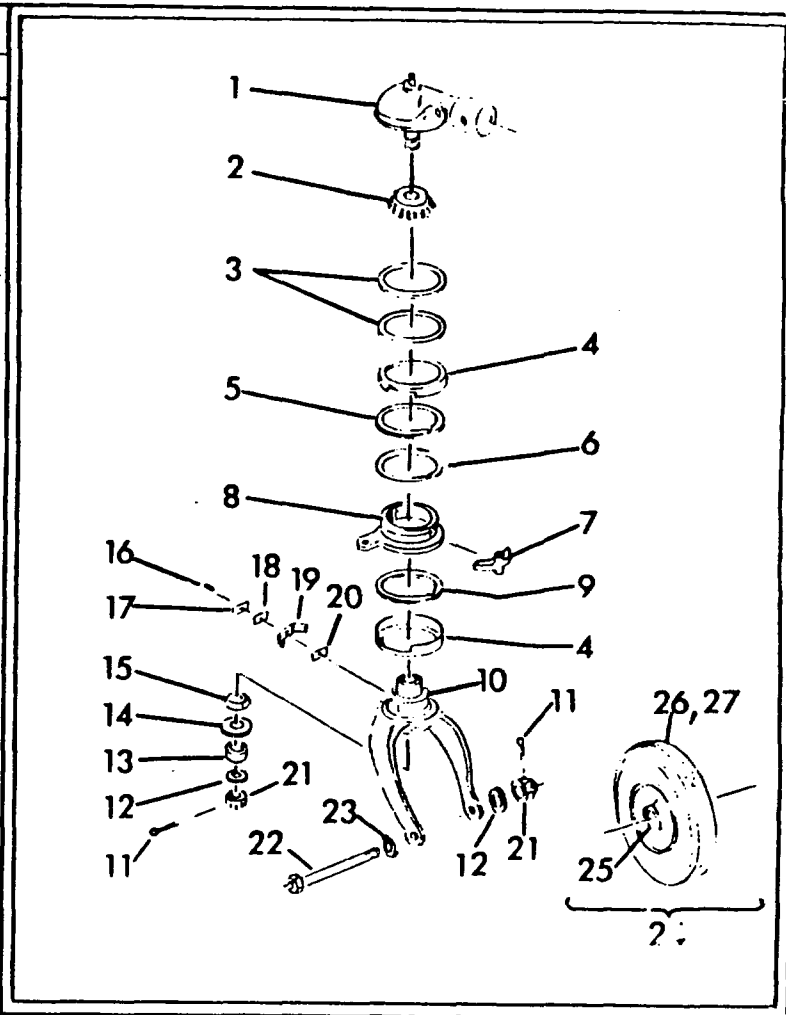


FIGURE 2a. EDO 3400D SERIES BOW WHEEL

Date 10/1/68

Date 10/1/68

42

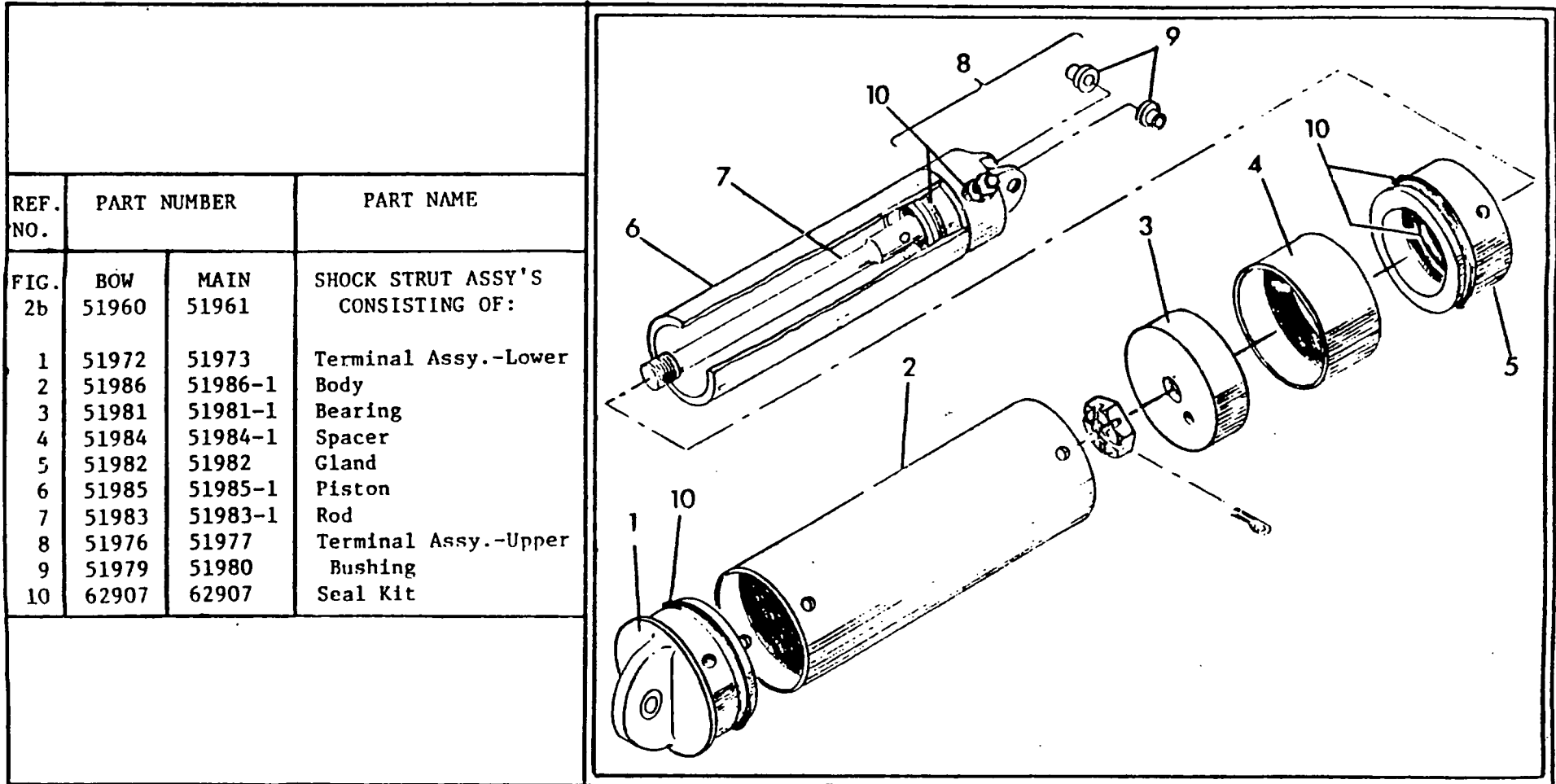


FIGURE 2b EDO SHOCK STRUTS
BOW AND MAIN LANDING GEAR MODEL 597

Revised 10/1/68

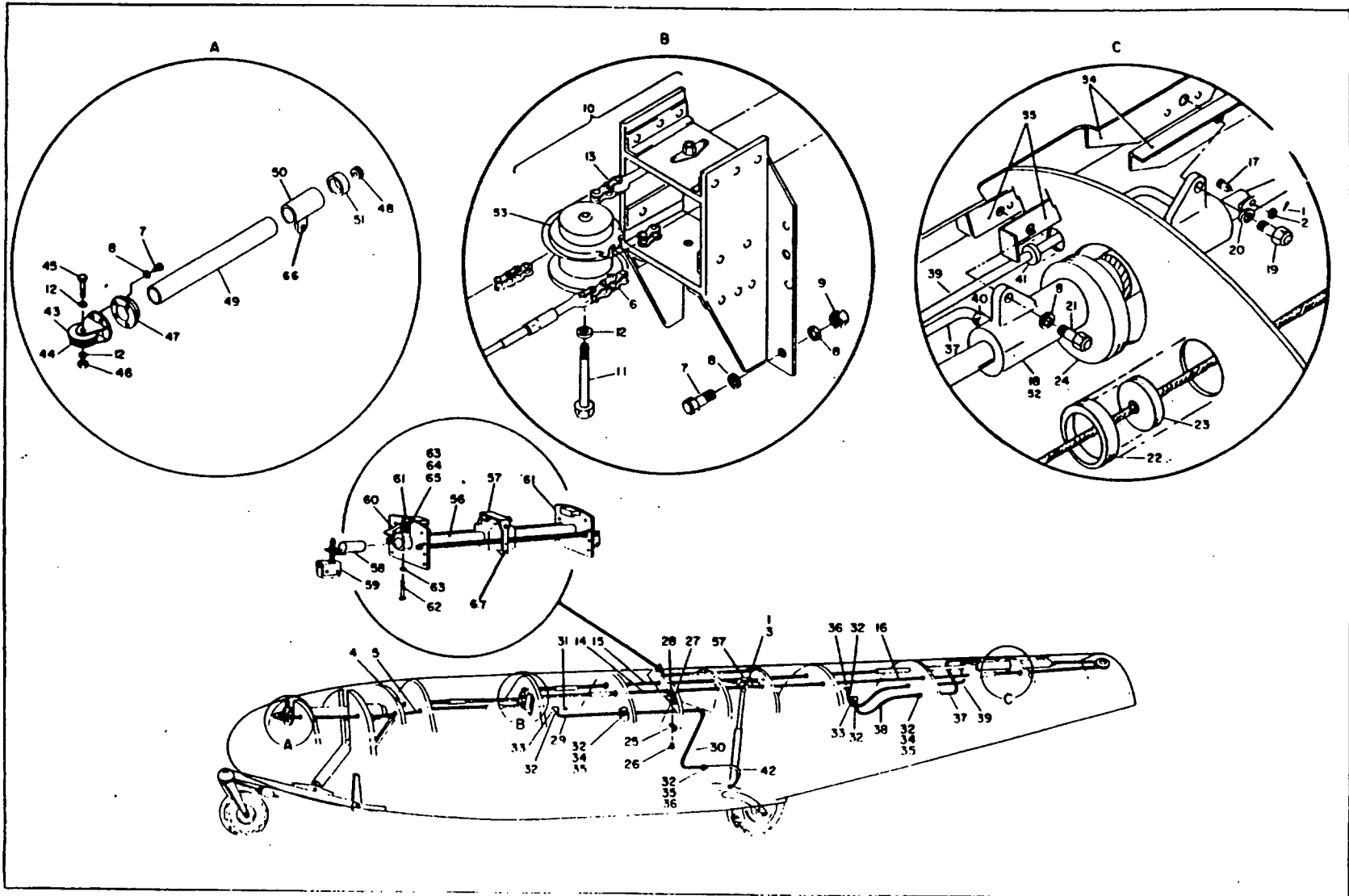


Figure 3 - Edo Landing Gear System Model 597

TABLE 3. EDO LANDING GEAR SYSTEM MODEL 597
KEY TO FIGURE 3

REF. NO.	PART NUMBER	PART NAME	REF. NO.	PART NUMBER	PART NAME
1	AN381-2-6	Pin, Cotter	36	AN837-4D	Elbow, 45°
2	AN960-10L	Washer	37	1648-160	Tube Assy, Hydraulic
3	AN393-19	Pin, Flat Head	38	1648-240	Tube Assy, Hydraulic
4	42760	Cable Assy, Bow, R/H	39	1648-370	Tube Assy, Hydraulic
5	42761	Cable Assy, Bow, L/H	40	AN816-4D	Nipple
6	42180	Chain Assy, Bow	41	AN931-4S12	Grommet
7	AN4-6A	Bolt	42	AN6271-4-18	Hose Assy
8	AN960PD416	Washer	43	X20578	Guard, Pulley
9	AN365-428	Nut	44	AN220-2	Pulley
10	42175	Sprocket Assy	45	AN5-14A	Bolt
11	AN5-52A	Bolt	46	AN365-52A	Nut
12	AN960PD516	Washer	47	25036	Bearing Plate Assy.
13	31446	Chain Assy, Main	48	AN931-3S10	Grommet
14	31442	Cable Assy, Main, L/H	49	25041	Tube Assy, Slide
15	31441	Cable Assy, Main R/H	50	42226	Fitting Assy, Slide
16	42104	Cable Assy, Main, Aft	51	25040	Bearing
17	AN393-13	Pin, Flat Head	52	62908	Replacement Seal Kit consisting of: AN6227-9 Packing (Qty. 3) AN6227-18 Packing (Qty. 3)
18	X20640	Cylinder, Hydraulic			
19	AN3-6A	Bolt			
20	AN960PD10	Washer			
21	AN4-6A	Bolt	53	42173	Sprocket Assy.
22	AN931-10-20	Grommet	54	31405	Bracket - Aft
23	AN931C3S10	Grommet	55	31404	Bracket - Fwd
24	31447	Padding	56	20154	Tube - Main Slide
25	M821919DG4	Clamp	57	23150	Fitting Assy - Main Slide
26	AN525-832-8	Screw	58	22800	Bracket
27	AN960PD8	Washer	59	1HS6	Microswitch
28	AN365-832	Nut	60	22801	Actuator
29	1648-170	Tube Assy, Hydraulic	61	23001	Bearing Plate Assy
30	1648-360	Tube Assy, Hydraulic	62	23003	Bolt
31	AN931B4-7	Grommet	63	AN960D416	Washer
32	AN924-4D	Nut	64	AN24-15	Bolt
33	AN833-4D	Elbow, 90°	65	AN364-428	Nut
33a	AN894D4-3	Bushing (used with 3/16 brake line)			
34	AN832-4D	Union	66	NAS77-6-23	Bushing
35	AN960PD716	Washer	67	NAS77-7-23	Bushing

REVISED 9/3/74

FE