

Figure 1 - Float Parts for Edo Model 89A2000

TABLE 1. FLOAT SPARE PARTS LIST
KEY TO FIGURE 1

<u>REF. NO.</u>	<u>PART NUMBER</u>	<u>PART NAME</u>	<u>REF. NO.</u>	<u>PART NUMBER</u>	<u>PART NAME</u>
	89A2000		36	89-B-033	Bulkhead Assy. Sta 3A
1	88-M-096	Cleat-Mooring	37	88-B-034	Step Assy.
2	88-C-060-1	Pad-Strut Attaching-Fwd.	38	89-B-035 L/R	Bulkhd.Assy. Sta. 4 (L or R Float)
3	88-C-060-2	Pad-Strut Attaching-Aft.	39	88-B-036	Bulkhead Sta. 5
4	88-B-032-7	Ftg. Strut Attaching-Fwd. & Aft.	40	88-B-037	Transom Assy.
5	1575	Cover Assy.-Deck Handhole	41	88-W-070-2	W/R Assy. for R/H Float
6	1582	Gasket-Handhole Cover	41a	89-W-2000	W/R Assy. for L/H Float
7	88-W-072-3	Bkt-W/R Deck	42	88-W-075	Rudder Post Assy. (For R/H Float)
8	88-W-071	Bkt-W/R Bottom	42a	88-W-075-7	Rudder Post Assy. (For L/H Float)
9	88-A-010-21 L/R	Top Assy. Fwd (L or R Flt) w/bulkhds	43	88-W-075-6	Blade Stop (L or R Float)
10	88-A-010-22 L/R	Top Assy Aft (L or R Flt) w/bulkhds	44	88-W-078-1	Blade Assy.(L or R Float)
11	88-A-010-3	Bottom Assy-Fwd.	45	88-W-076-1 L/H	Blade Bkt. (L or R Float)
12	88-A-010-4	Bottom Assy-Aft.	46	88-W-076-2 R/H	Blade Bkt. (L or R Float)
13	88-A-012-1	Skin-Fwd. Top	47	03075	Blade W/R (L or R Float)
14	88-A-012-2	Skin-Aft Top	48	88-W-079	Spring W/R (L or R Float)
15	88-A-012-3	Skin-Fwd Bottom	49	38-081-1	Fairlead (2 halves)
16	88-A-012-4	Skin-Aft Bottom	50	88-W-077-1	Bushing-Post Upper Hinge
17	089A0020/21	Booster L.H. & R.H.	51	88-W-077-2	Bushing-Blade Hinge
18	88-K-050-10	Stiffener Top - Oversize	52	88-W-070-1	Spacer
19	88-K-051-13	Stiffener Bottom-Oversize Tee	53	62120*	Bilge System Kit
20	88-A-010-5 L/R	Rail-Fwd Deck		F3PX*	Pump
21	88-A-010-6 L/R	Rail-Aft Deck		3661*	Ball Plug
22	88-A-010-8	Angle-Deck Rail Splice		4182*	Pump Socket
23	88-A-010-9	Plate-Deck Rail Splice		62119*	Drain Tube (Oversize)
24	88-K-054-1 L/R	Chine-Fwd.	54	40677*	Cleat Instl. R/H Flt. (Aft)
25	88-K-054-2 L/R	Chine-Aft.	55	40678*	Cleat Instl. L/H Flt. (Aft)
26	88-A-010-10 L/R	Bracket-Chine	56	089A0220	Top Assy.-Intermediate
27	88-A-010-7	Strip-Chine Reinforcing	57	089A0120	Bottom Assy.-Intermediate
28	88-K-052-1	Keel Fwd.	58	089A0220-01	Skin-Intermediate Top(Float Ser.#23&up)
29	88-K-053-1	Keel Aft	59	089A0120-01	Skin-Intermediate Bottom
30	88-M-712	Skeg	60	089A0220-02/03	Rail-Intermediate Deck R.H. & L.H.
31	88-W-072-4	Skid-Stern	61	089A0220-04/05	Chine-Intermediate Deck R.H. & L.H.
32	36912	Bumper Assy-Bow	62	089A0120-02	Strip-Chine, Intermediate
32a	35667	Rubber Bumper	63	089A0120-03	Keel-Intermediate
33	88-B-030	Bulkhead-Sta. 1	64	089A0002	Keel Splice, Intermediate
34	88-B-031	Bulkhead-Sta. 2	65	089A0003/04	Aft Chine Splice L.H. & R.H.
35	89-B-032 L/R	Bulkhd. Assy. Sta 3(L or R Float)	66	089A0005/06	Internal Chine Splice L.H & R.H.
36	88-K-051-10	Stiffener Btm.-Oversized Angle	67	5042	Gusset

* Denotes Optional Equipment

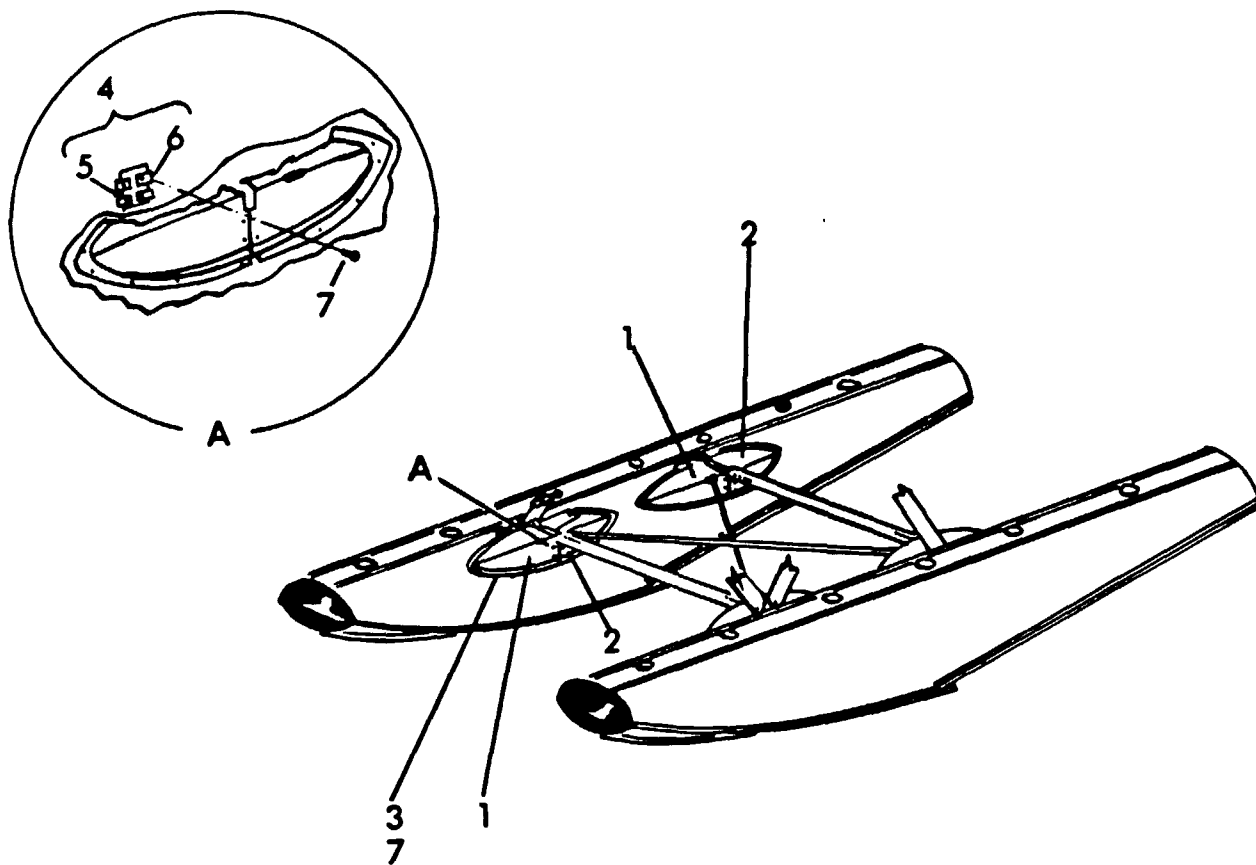


Figure #2
EDO SPREADER FAIRINGS
MODEL 089/089A-2000 FLOATS

TABLE 2 EDO SPREADER FAIRINGS FOR MODEL 089/089A-2000 FLOATS

KEY TO FIGURE 2

REF. NO.	PART NAME	PART NUMBER
Fig. #2	Kit Instl. Spreader Fairing - L/R Floats - Complete with the following:	40119
1	Fairing Assy. Fwd - R/H Float	40120
	Fairing Assy. Aft - L/H Float	40120
2	Fairing Assy. Aft R/H Float	40121
	Fairing Assy. Fwd L/H Float	40121
3	Speed Nut	C-7000-832-373
4	Splice Plate Assembly	40122
5	Splice Plate	40123
6	Speed Nut	C-8104-832-373
7	Screw	AN525-832R6